



ERKADO

drzwi to nasz świat

Exhibition Sets PREMIUM Showrooms

Table of contents

01. Exhibition walls	03
02. Configuration variants	06
• Configuration type "1"	08
• Configuration type "2"	13
• Configuration type "3"	18
• Configuration type "4"	23
• Supplementary module "5"	28
• Supplementary module "6"	30

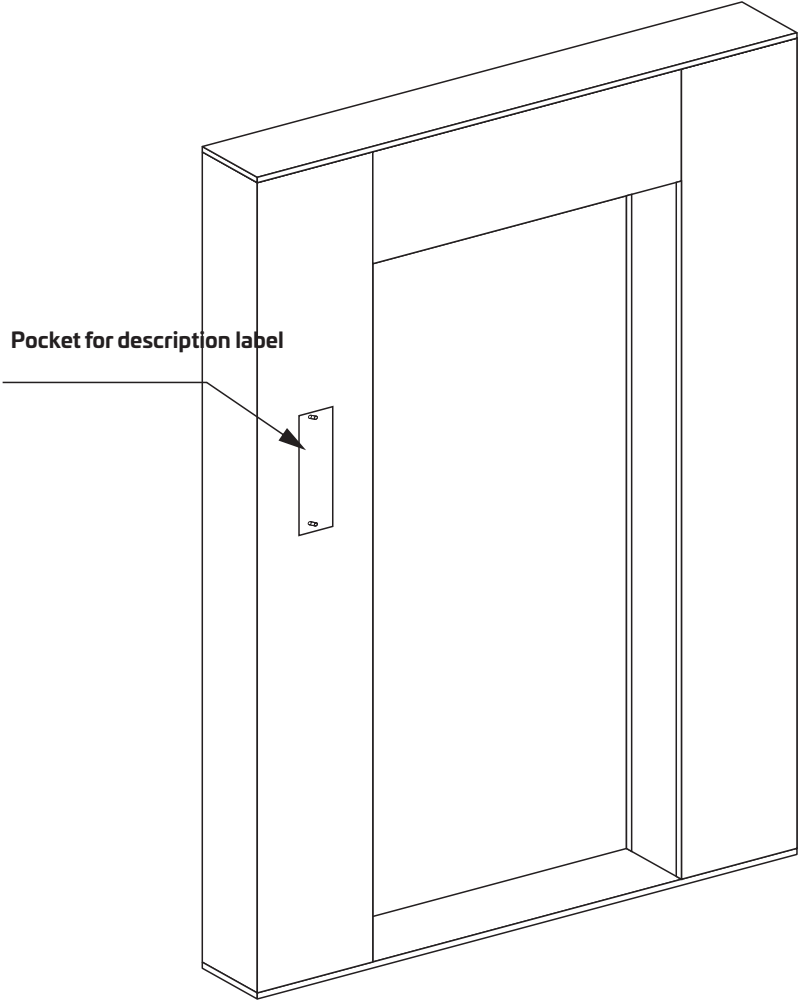
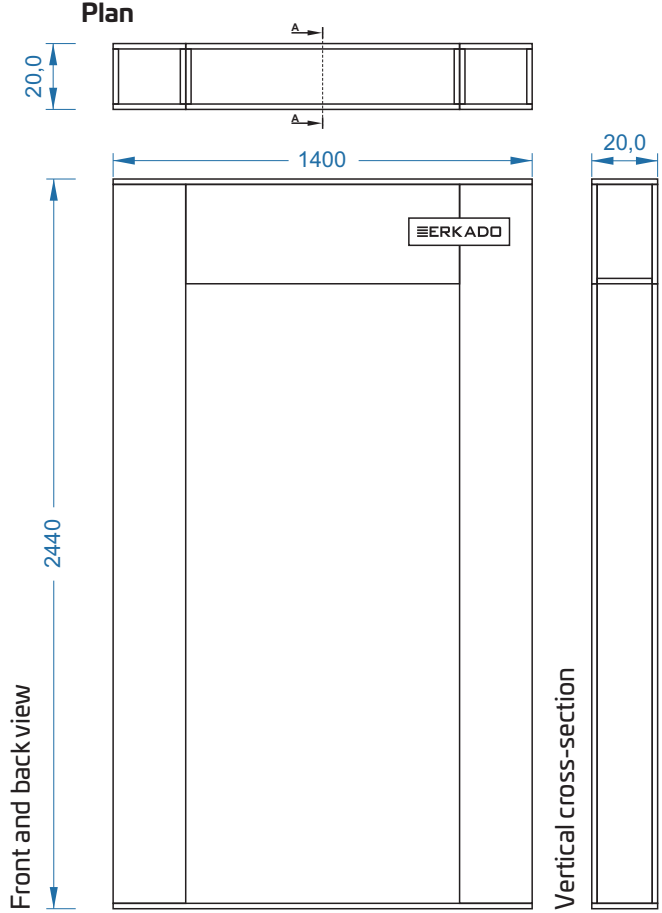
Exhibition Sets PREMIUM Showrooms

Exhibition walls



EXHIBITION WALL FOR INTERIOR DOORS, INDOOR

Exhibition Sets PREMIUM Showrooms



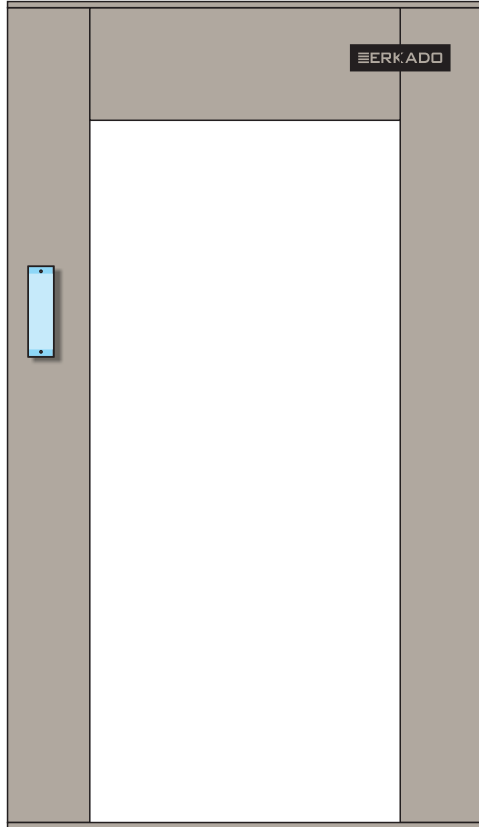
SPECIFICATION:

- material: furniture board 18 mm
- dimensions: 2420 x 1400 x 200
- mounting hole for interior doors 2060 x 910

COLOUR VARIANTS

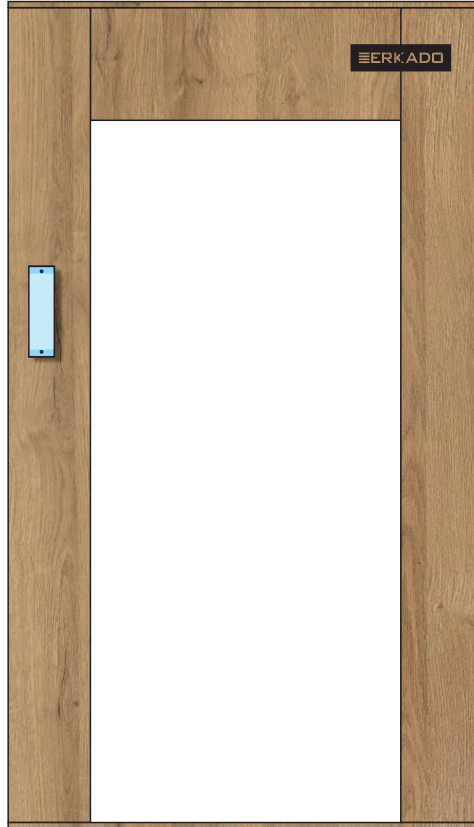
Exhibition Sets PREMIUM Showrooms

Variant 1



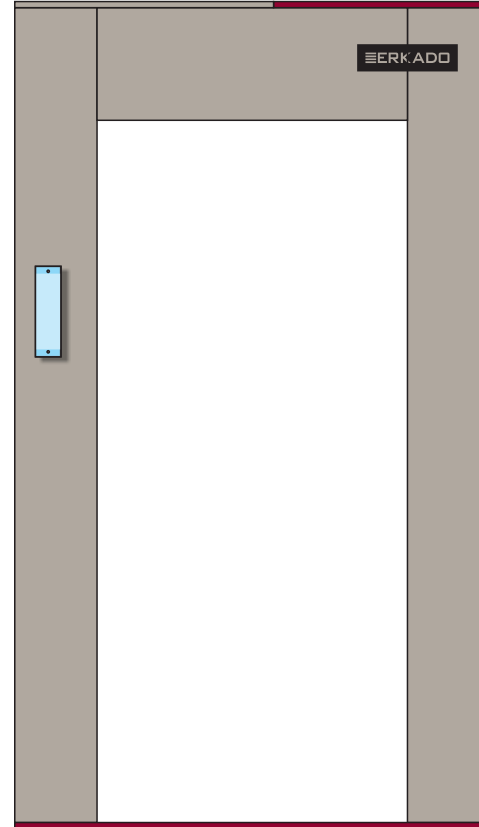
Partition made of furniture board
in cashmere veneer
100 x 1400 x 2420 - 950 PLN/netto
200 x 1400 x 2420 - 990 PLN/netto
100 x 1400 x 2420 - 210 EUR/netto
200 x 1400 x 2420 - 230 EUR/netto

Variant 2



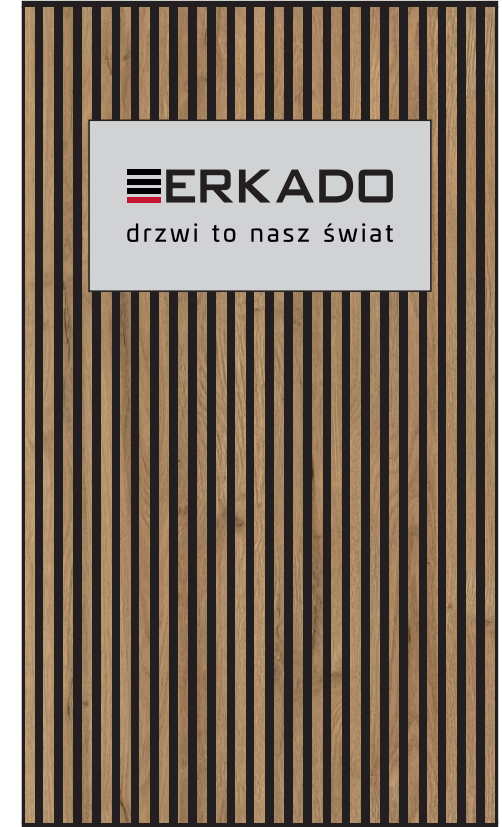
Partition made of furniture board
in wood-like veneer
100 x 1400 x 2420 - 950 PLN/netto
200 x 1400 x 2420 - 990 PLN/netto
100 x 1400 x 2420 - 210 EUR/netto
200 x 1400 x 2420 - 230 EUR/netto

Variant 3



Wall made of furniture board
in cashmere veneer with a red frame
100 x 1400 x 2420 - 950 PLN/netto
200 x 1400 x 2420 - 990 PLN/netto
100 x 1400 x 2420 - 210 EUR/netto
200 x 1400 x 2420 - 230 EUR/netto

Variant 4



Partition with slats
100 x 1400 x 2420 - 4500 PLN/netto
100 x 1400 x 2420 - 1050 EUR/netto

Exhibition Sets PREMIUM Showrooms

Configuration variants

CONFIGURATION VARIANTS

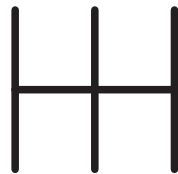
Universal exhibition sets can be combined in the following configurations:

- Configuration "1" – from 11 to 14 doors in the set (Sets for PREMIUM showrooms)
- Configuration "2" – from 14 to 16 doors in the set (Sets for PREMIUM showrooms)
- Configuration "3" – from 14 to 18 doors in the set (Sets for PREMIUM showrooms)
- Configuration "4" – from 16 to 28 doors in the set (Sets for PREMIUM showrooms)
- Configuration "5" – supplementary module for 5 to 6 doors in the set
- Configuration "6" – supplementary module for 8 to 10 doors in the set

„1“



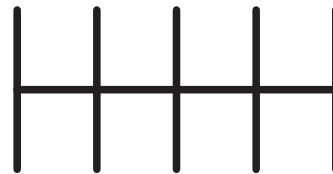
„2“



„3“



„4“



„5“



„6“

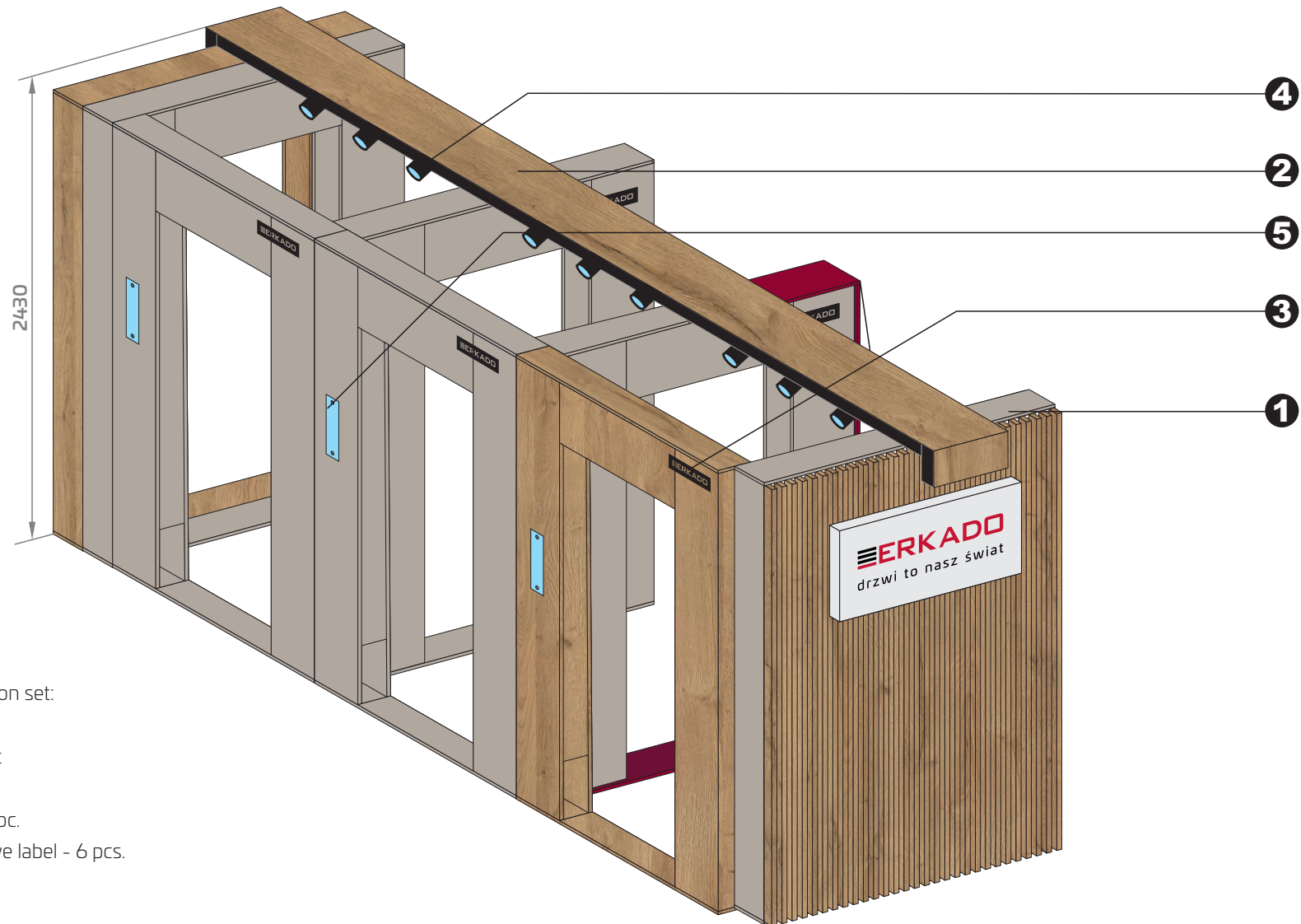


CONFIGURATION TYPE "1"

Exhibition Sets PREMIUM Showrooms

08

PRESENTATION OF 11 TO 14 DOOR MODELS



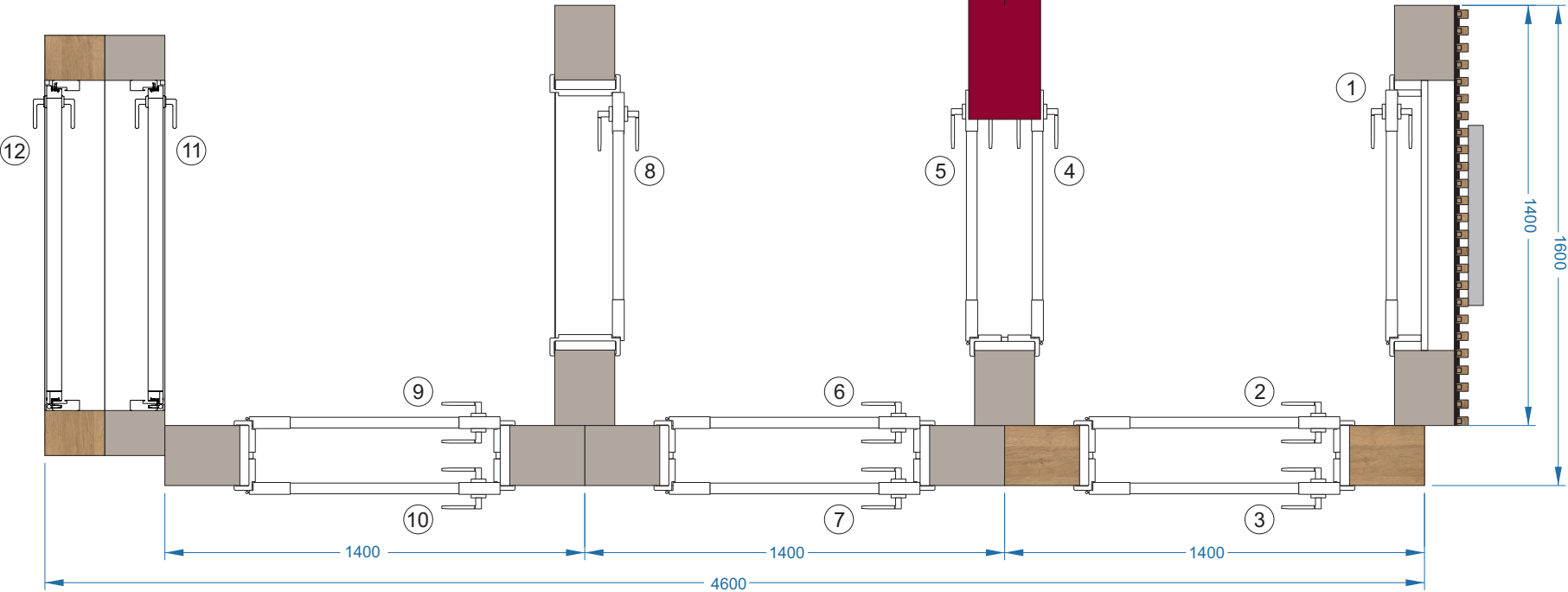
Contents of the exhibition set:

- 1 - exhibition panels
- 2 - connecting element
- 3 - 3D logo "ERKADO"
- 4 - 3-point lighting - 1 pc.
- 5 - pocket for descriptive label - 6 pcs.

CONFIGURATION TYPE "1" - VARIANTS

Exhibition Sets PREMIUM Showrooms

Variant "1a"



CONFIGURATION TYPE "1" - VARIANTS

Exhibition Sets PREMIUM Showrooms

10

Quotation for display set - Variant "1a"

Contents of the exhibition set:

double wall cashmere - 6 pcs
double wall cashmere in a red frame - 1 pc
wood-like wall - 1 pc
connection set with lighting - 3 pcs
black logo above interior doors - 13 pcs
labels with spacer - 13 pcs
lamellas with "Erkado zone" panel - 1 set
catalogue stand - 1 pc - free of charge

*PRICE:

21 100 PLN/netto
rabat 75% - 5 275 PLN/netto

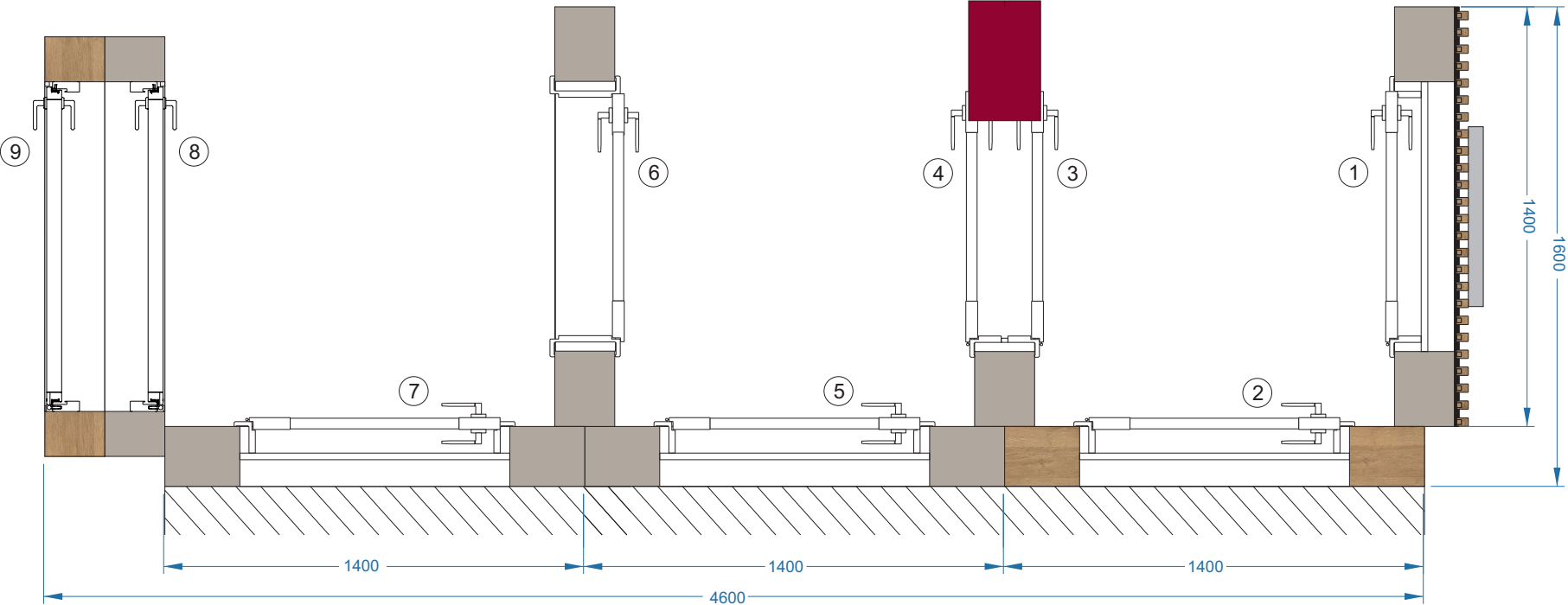
4 890 EUR/netto
rabat 75% - 1 222 EUR/netto

NOTE: Connection of the display set to the electrical network is the responsibility of the client.

CONFIGURATION TYPE "1" - VARIANTS

Exhibition Sets PREMIUM Showrooms

Variant "1b"



CONFIGURATION TYPE "1" - VARIANTS

Exhibition Sets PREMIUM Showrooms

12

Quotation for display set - Variant "1b"

Contents of the exhibition set:

double wall cashmere - 6 pcs
double wall cashmere in a red frame - 1 pc
wood-like wall - 1 pc
connection set with lighting - 3 pcs
black logo above interior doors - 13 pcs
labels with spacer - 13 pcs
lamellas with "Erkado zone" panel - 1 set
catalogue stand - 1 pc - free of charge

*PRICE:

21 100 PLN/netto
rabat 75% - 5 275 PLN/netto

4 890 EUR/netto
rabat 75% - 1 222 EUR/netto

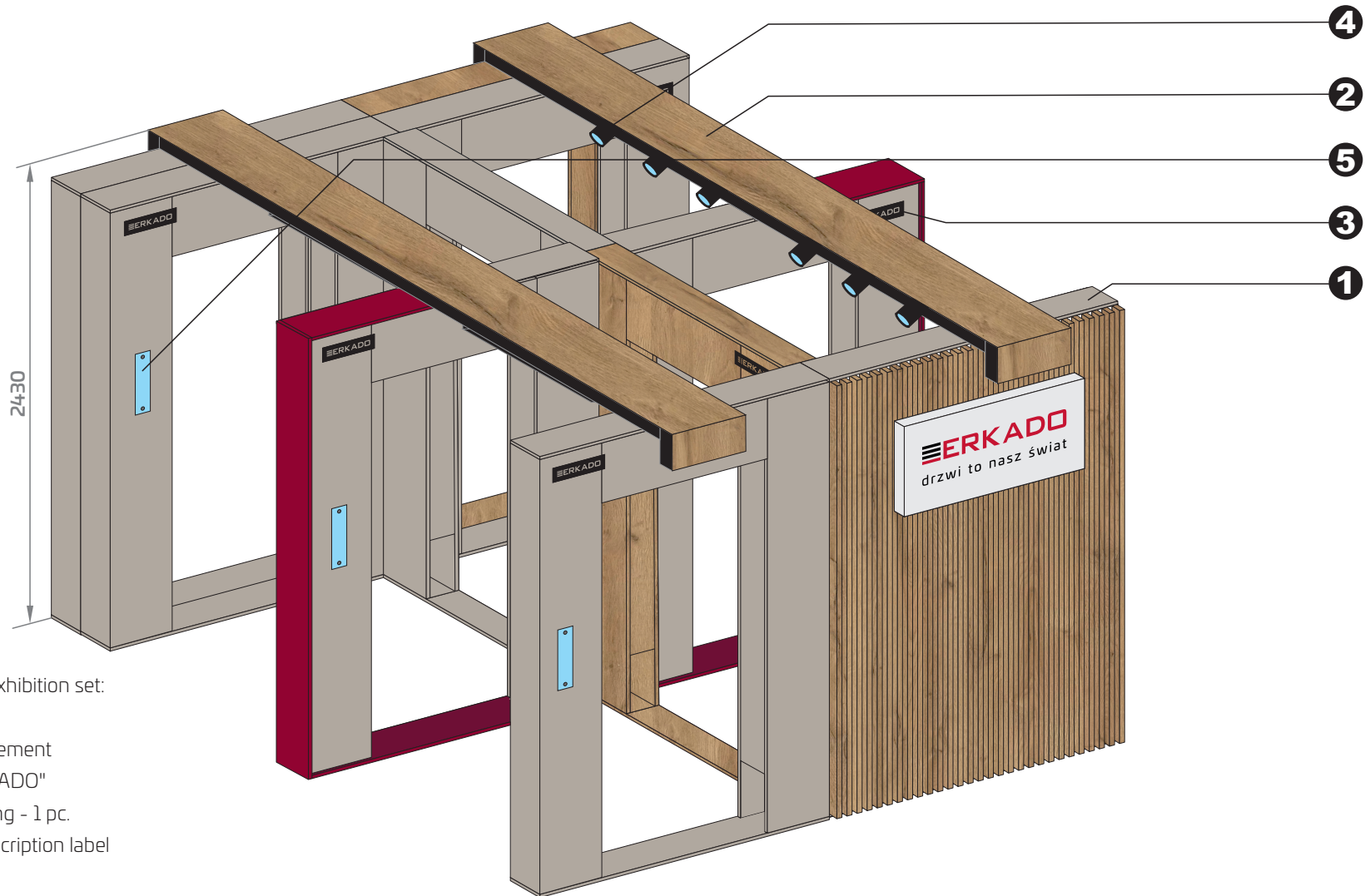
NOTE: Connection of the display set to the electrical network is the responsibility of the client.

CONFIGURATION TYPE "2"

Exhibition Sets PREMIUM Showrooms

13

PRESENTATION OF 14 TO 16 INTERIOR DOOR MODELS

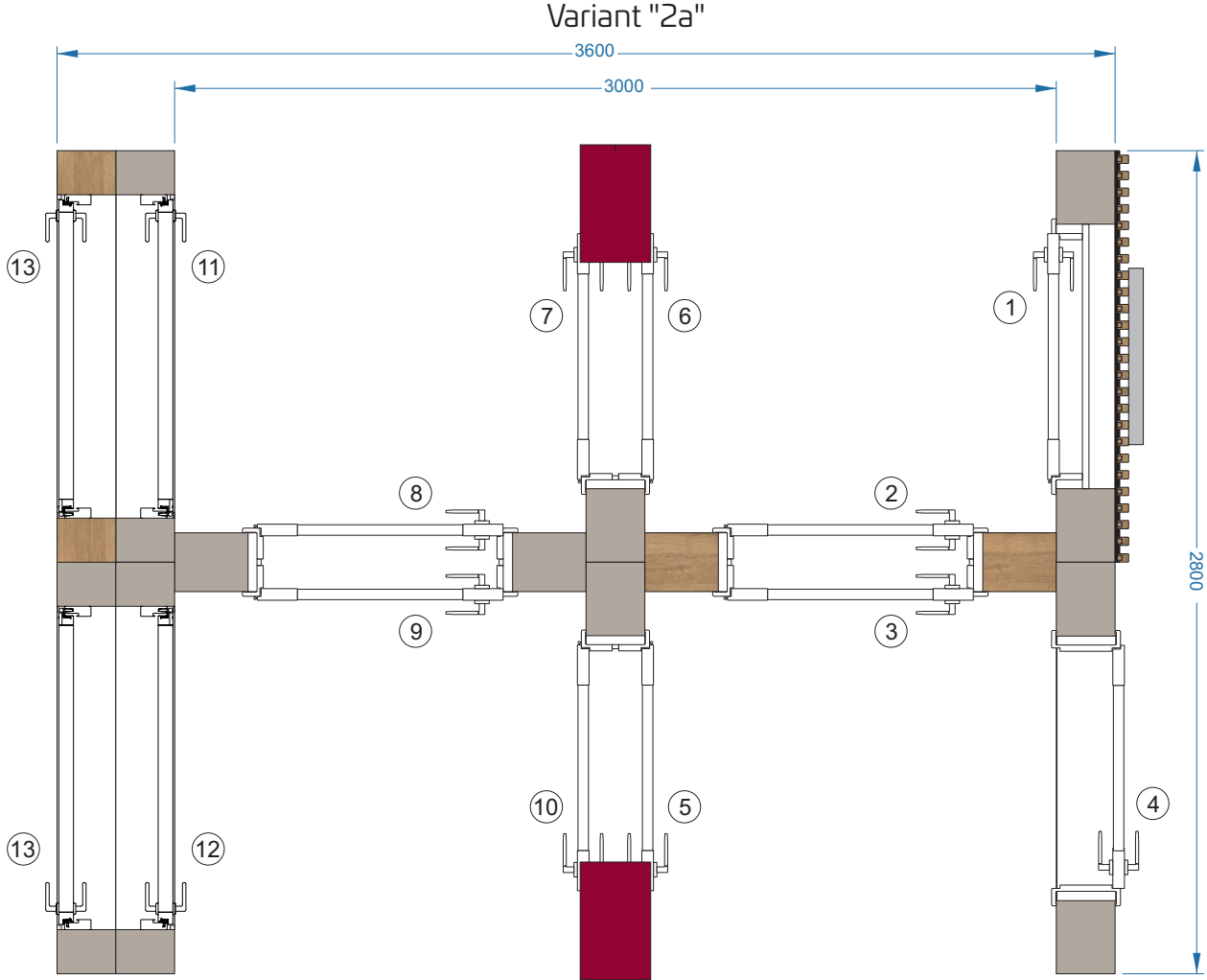


Contents of the exhibition set:

- 1 - display walls
- 2 - connecting element
- 3 - 3D logo "ERKADO"
- 4 - 3-point lighting - 1 pc.
- 5 - pocket for description label
- 6 pcs.

CONFIGURATION TYPE "2" - VARIANTS

Exhibition Sets PREMIUM Showrooms



CONFIGURATION TYPE "2" - VARIANTS

Exhibition Sets PREMIUM Showrooms

15

Quotation for display set - Variant "2a"

Contents of the exhibition set:

double wall cashmere - 6 pcs
double wall cashmere in a red frame - 2 pcs
wood-like wall - 2 pcs
connection set with lighting - 4 pcs
black logo above interior doors - 15 pcs
labels with spacer - 15 pcs
lamellas with "Erkado zone" panel - 1 set
catalogue stand - 1 pc - free of charge

*PRICE:

24 200 PLN/netto
rabat 75% - 5 275 PLN/netto

5 627 EUR/netto
rabat 75% - 1 406 EUR/netto

NOTE: Connection of the display set to the electrical network is the responsibility of the client.

CONFIGURATION TYPE "2" - VARIANTS

Exhibition Sets PREMIUM Showrooms

17

Quotation for display set - Variant "2b"

Contents of the exhibition set:

double wall cashmere - 4 pcs
double wall cashmere in a red frame - 2 pcs
wood-like wall - 1 pc
connection set with lighting - 4 pcs
black logo above interior doors - 15 pcs
labels with spacer - 15 pcs
lamellas with "Erkado zone" panel - 1 set
catalogue stand - 1 pc - free of charge

*PRICE:

24 200 PLN/netto
rabat 75% - 5 275 PLN/netto

5 627 EUR/netto
rabat 75% - 1 406 EUR/netto

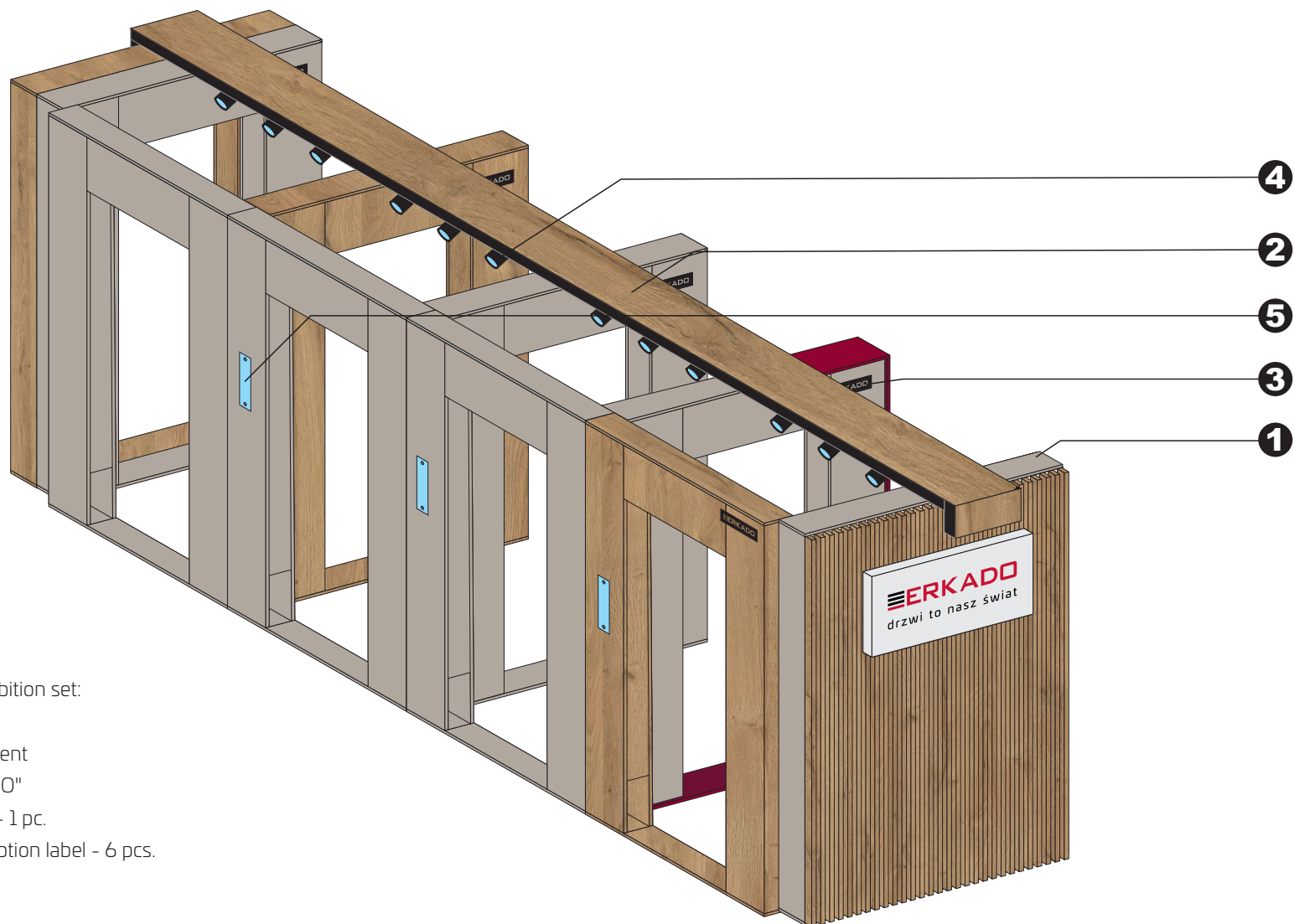
NOTE: Connection of the display set to the electrical network is the responsibility of the client.

CONFIGURATION TYPE "3"

Exhibition Sets PREMIUM Showrooms

18

PRESENTATION OF 14 TO 18 INTERIOR DOOR MODELS



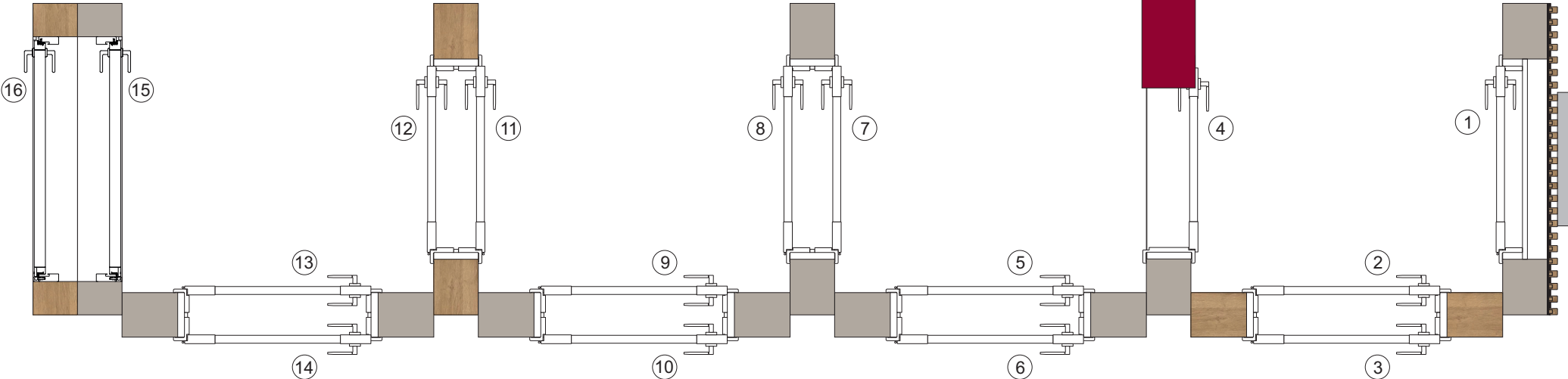
Contents of the exhibition set:

- 1 - display walls
- 2 - connecting element
- 3 - 3D logo "ERKADO"
- 4 - 3-point lighting - 1 pc.
- 5 - pocket for description label - 6 pcs.

CONFIGURATION TYPE "3" - VARIANTS

Exhibition Sets PREMIUM Showrooms

Variant "3a"



CONFIGURATION TYPE "3" - VARIANTS

Exhibition Sets PREMIUM Showrooms

20

Quotation for display set - Variant "3a"

Contents of the exhibition set:

double wall cashmere - 10 pcs
double wall cashmere in a red frame - 2 pcs
wood-like wall - 3 pcs
connection set with lighting - 4 pcs
black logo above interior doors - 17 pcs
labels with spacer - 17 pcs
lamellas with "Erkado zone" panel - 1 set
catalogue stand - 2 pcs - free of charge

*PRICE:

27 700 PLN/netto
rabat 75% - 6 925 PLN/netto

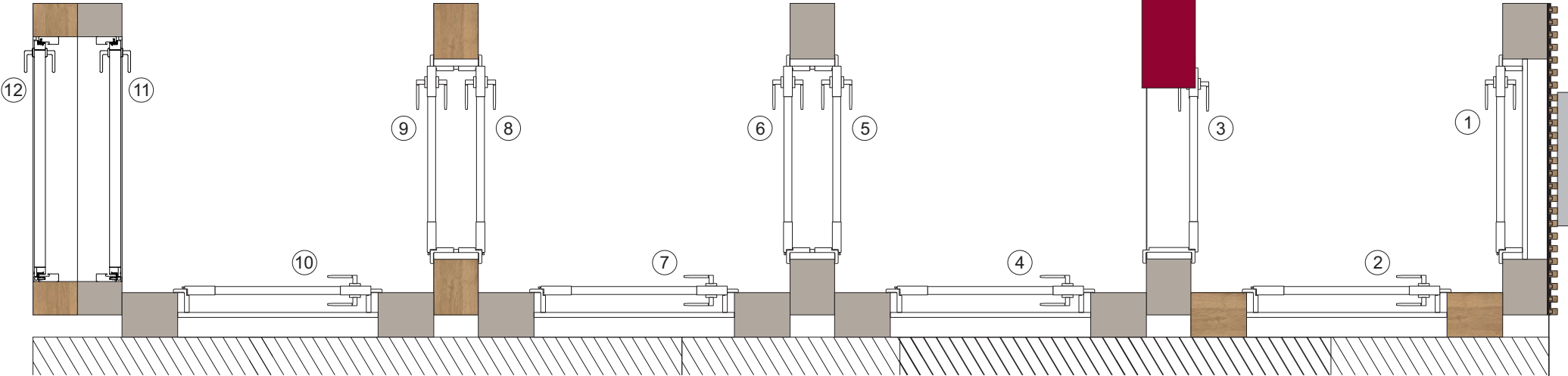
6 441 EUR/netto
rabat 75% - 1 610 EUR/netto

NOTE: Connection of the display set to the electrical network is the responsibility of the client.

CONFIGURATION TYPE "3" - VARIANTS

Exhibition Sets PREMIUM Showrooms

Variant "3b"



CONFIGURATION TYPE "3" - VARIANTS

Exhibition Sets PREMIUM Showrooms

22

Quotation for display set - Variant "3b"

Contents of the exhibition set:

double wall cashmere - 7 pcs
double wall cashmere in a red frame - 1 pc
wood-like wall - 3 pcs
connection set with lighting - 4 pcs
black logo above interior doors - 13 pcs
labels with spacer - 13 pcs
lamellas with "Erkado zone" panel - 1 set
catalogue stand - 2 pcs - free of charge

*PRICE

27 700 PLN/netto
rabat 75% - 6 925 PLN/netto

6 441 EUR/netto
rabat 75% - 1 610 EUR/netto

NOTE: Connection of the display set to the electrical network is the responsibility of the client.

CONFIGURATION TYPE "4" - VARIANTS

Exhibition Sets PREMIUM Showrooms

25

Quotation for the exhibition set - Variant "4a"

Contents of the exhibition set:

double wall cashmere - 10 pcs
double wall cashmere in a red frame - 2 pcs
double wood-like panel - 4 pcs
connection set with lighting - 8 pcs
black logo above the door - 27 pcs
labels with spacer - 27 pcs
lamellas with "Erkado zone" panel - 1 set
catalogue stand - 2 pcs - free of charge

*PRICE:

38 800 PLN/netto
rabat 75% - 9 700 PLN/netto

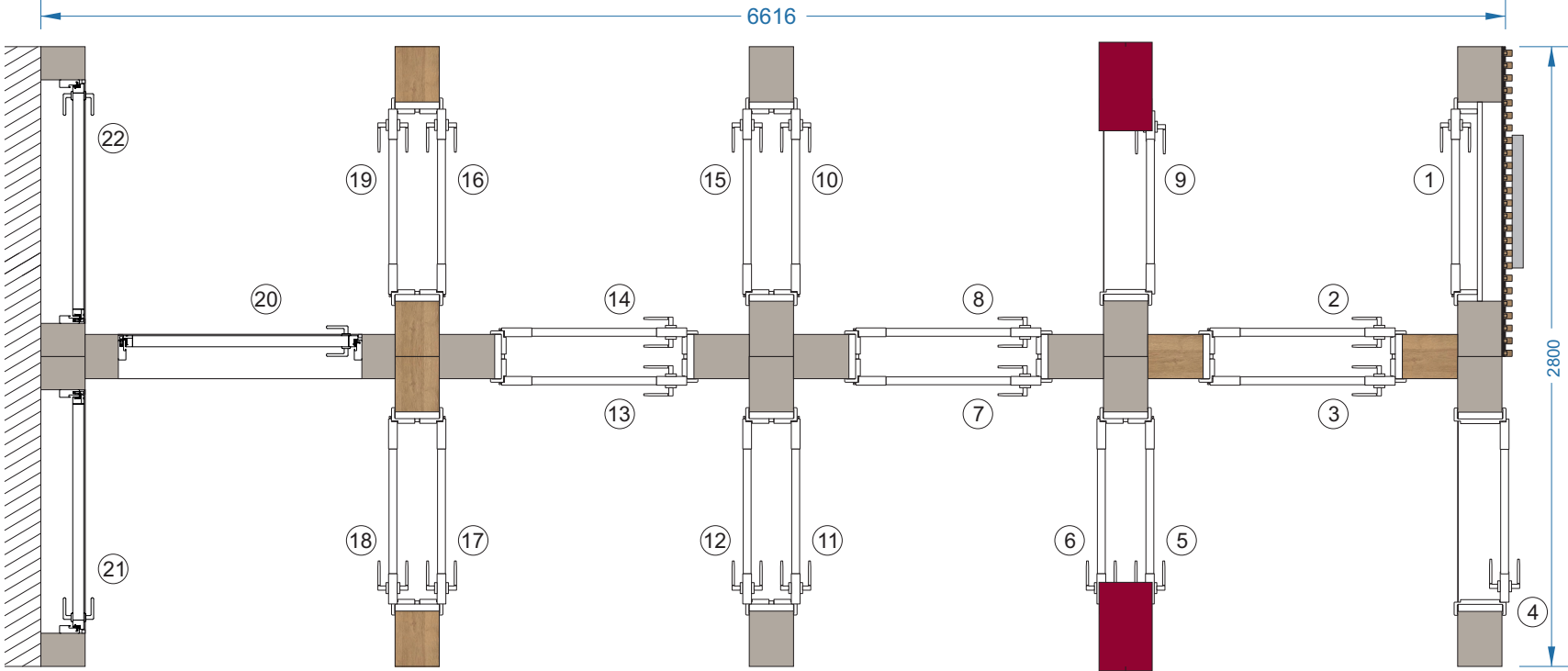
9 023 EUR/netto
rabat 75% - 2 255 EUR/netto

NOTE: Connection of the display set to the electrical network is the responsibility of the client.

CONFIGURATION TYPE "4" - VARIANTS

Exhibition Sets PREMIUM Showrooms

Variant "4b"



CONFIGURATION TYPE "4" - VARIANTS

Exhibition Sets PREMIUM Showrooms

27

Quotation for the exhibition set - Variant "4b"

Contents of the exhibition set:

double cashmere panel - 8 pcs
double wall cashmere in a red frame - 2 pcs
double wood-like panel - 4 pcs
connection set with lighting - 8 pcs
black logo above the door - 27 pcs
labels with spacer - 27 pcs
lamellas with "Erkado zone" panel - 1 set
Catalog stand - 2 pcs - free of charge

*PRICE:

38 800 PLN/netto
rabat 75% - 9 700 PLN/netto

9 023 EUR/netto
rabat 75% - 2 255 EUR/netto

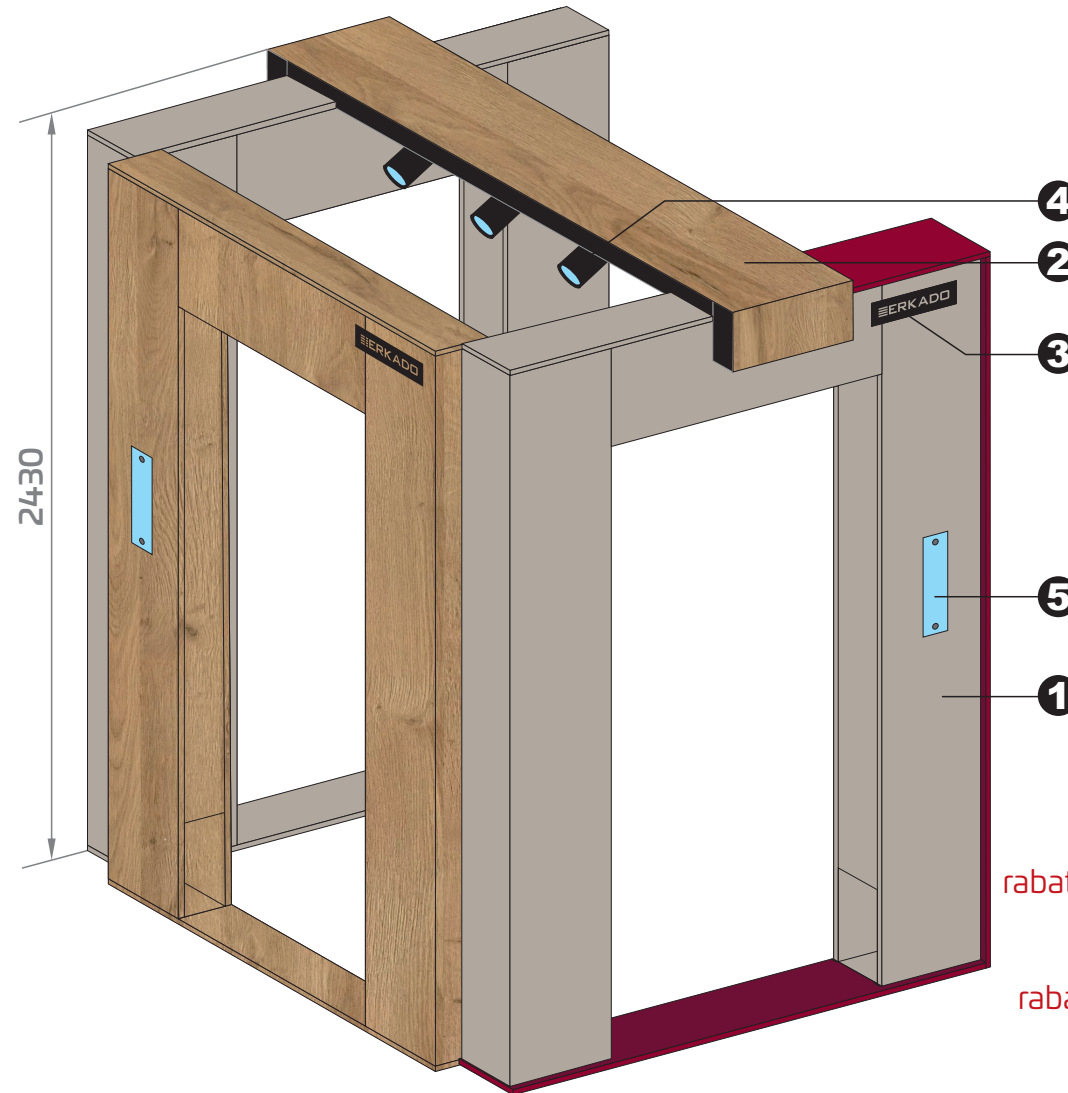
NOTE: Connection of the display set to the electrical network is the responsibility of the client.

SUPPLEMENTARY MODULE TYPE "5"

Exhibition Sets PREMIUM Showrooms

28

PRESENTATION OF 5 TO 6 MODELS OF DOORS



Contents of the exhibition set:

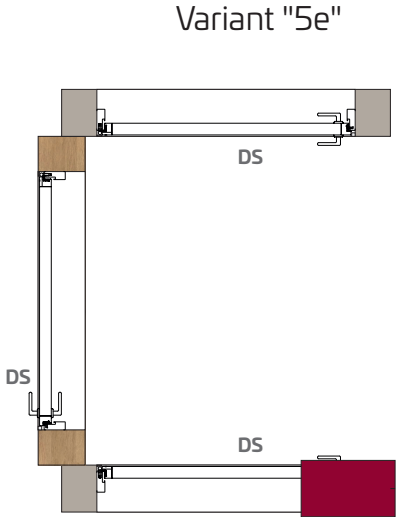
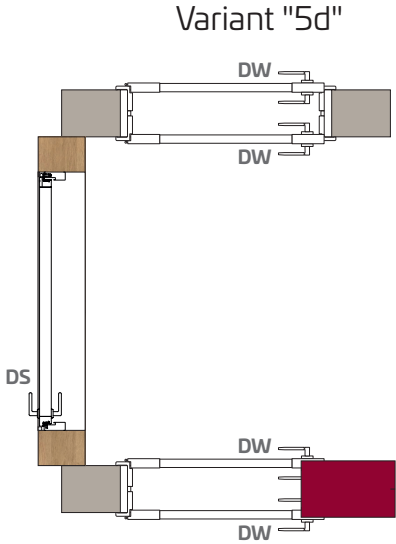
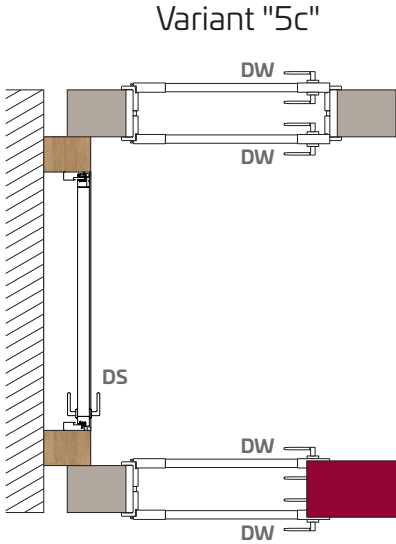
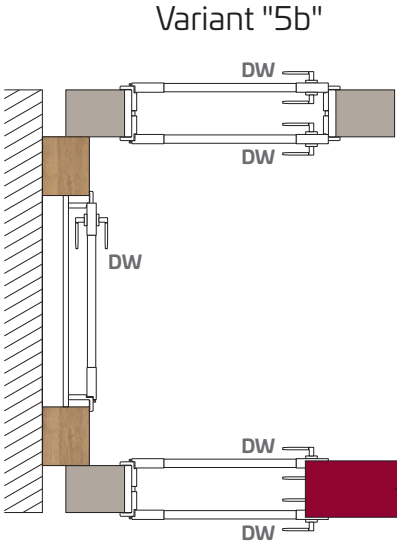
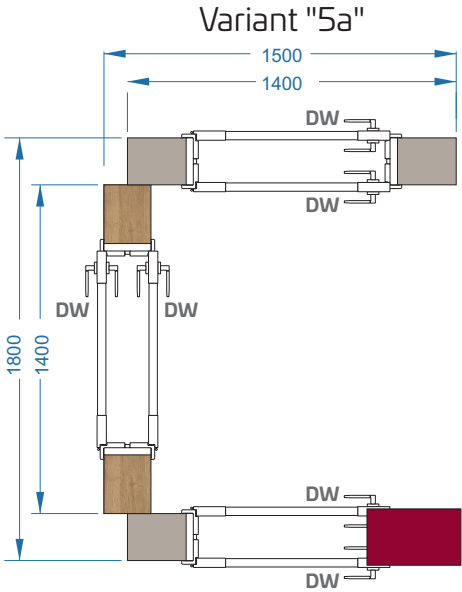
- 1 - exhibition panels
- 2 - connecting element
- 3 - 3D logo "ERKADO"
- 4 - 3-point lighting - 1 pc.
- 5 - pocket for descriptive label - 6 pcs..

*PRICE:
7 900 PLN/netto
rabat 75% - 1 975 PLN/netto

1 837 EUR/netto
rabat 75% - 460 EUR/netto

SUPPLEMENTARY MODULE TYPE "5" - VARIANTS

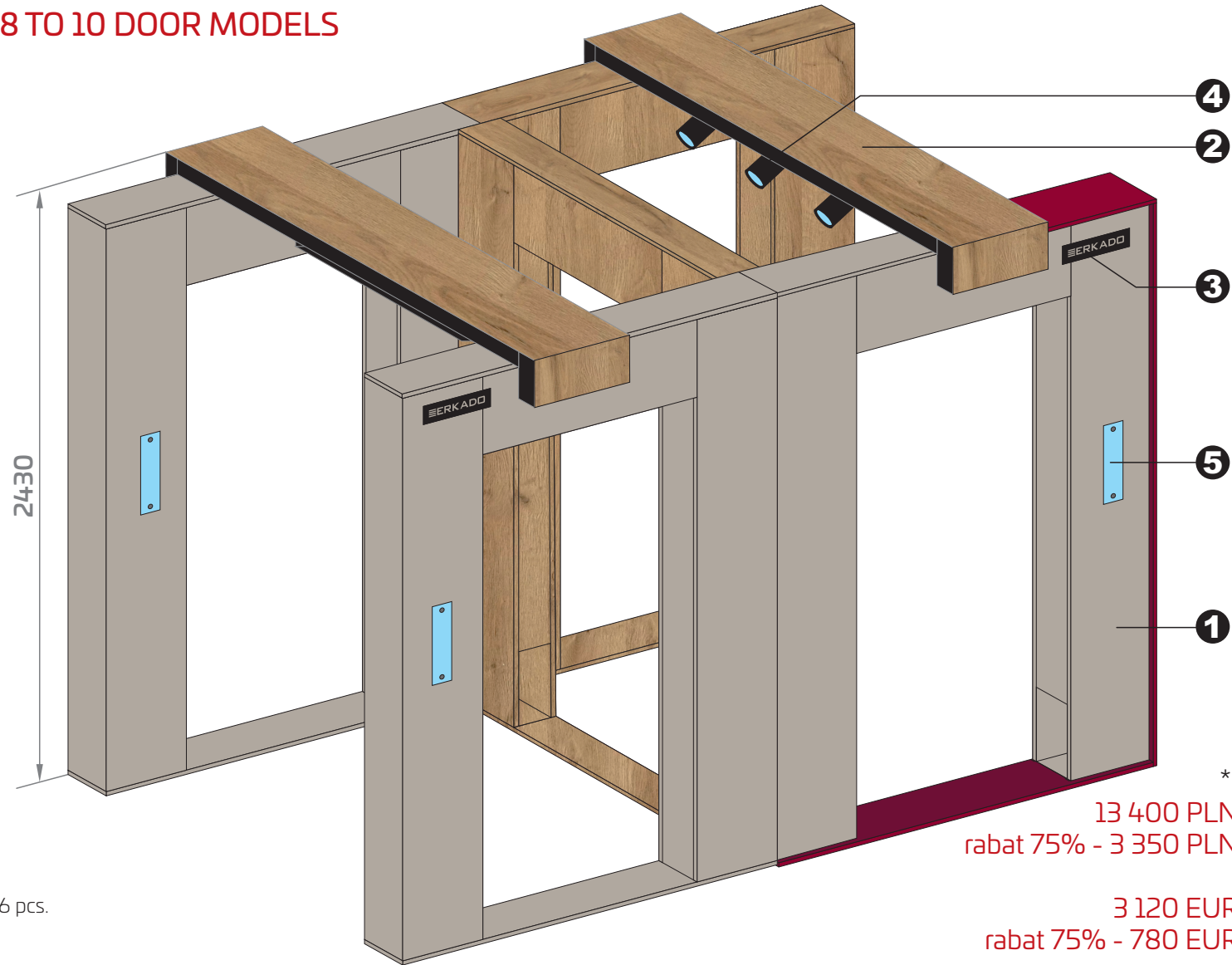
Exhibition Sets PREMIUM Showrooms



SUPPLEMENTARY MODULE TYPE "6"

Exhibition Sets PREMIUM Showrooms

PRESENTATION OF 8 TO 10 DOOR MODELS



Contents of the exhibition set:

- 1 - display walls
- 2 - connecting element
- 3 - 3D logo "ERKADO"
- 4 - 3-point lighting - 1 pc.
- 5 - pocket for description label - 6 pcs.

*PRICE:

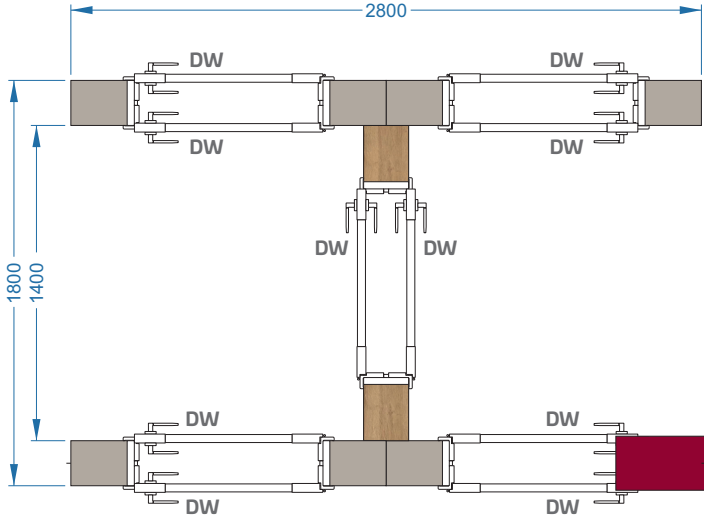
13 400 PLN/netto
rabat 75% - 3 350 PLN/netto

3 120 EUR/netto
rabat 75% - 780 EUR/netto

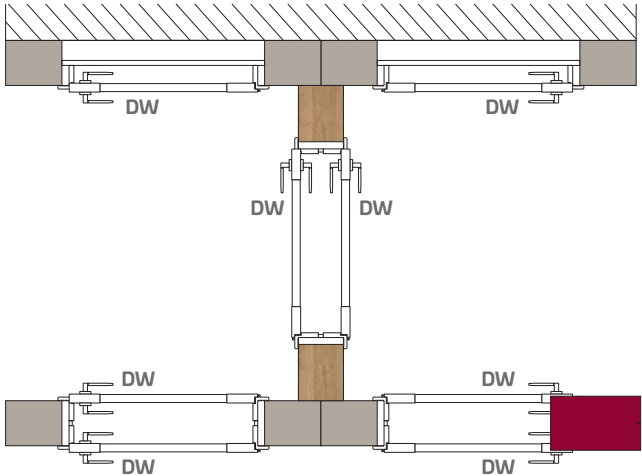
SUPPLEMENTARY MODULE TYPE "6" - VARIANTS

Exhibition Sets PREMIUM Showrooms

Variant "6a"



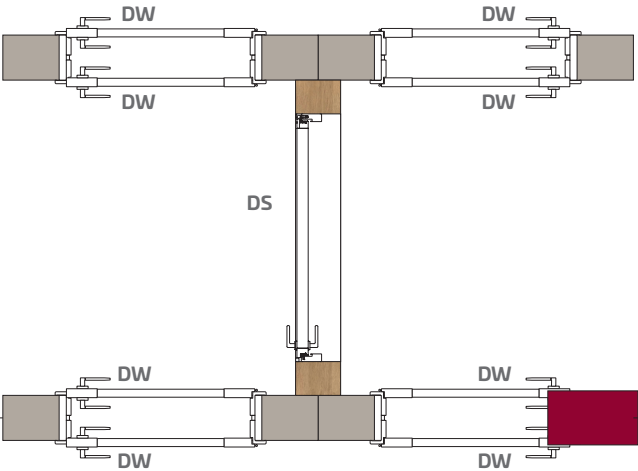
Variant "6b"



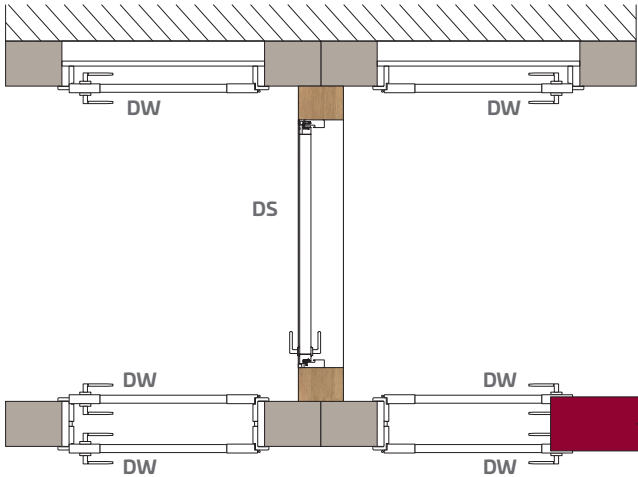
CONFIGURATION TYPE "6" - VARIANTS

Exhibition Sets PREMIUM Showrooms

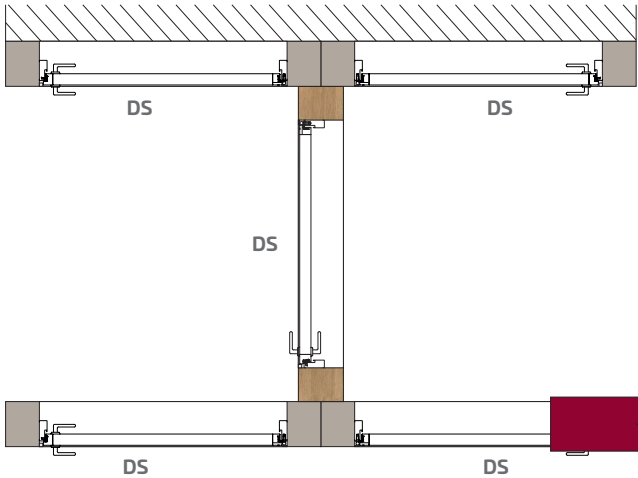
Variant "6c"



Variant "6d"



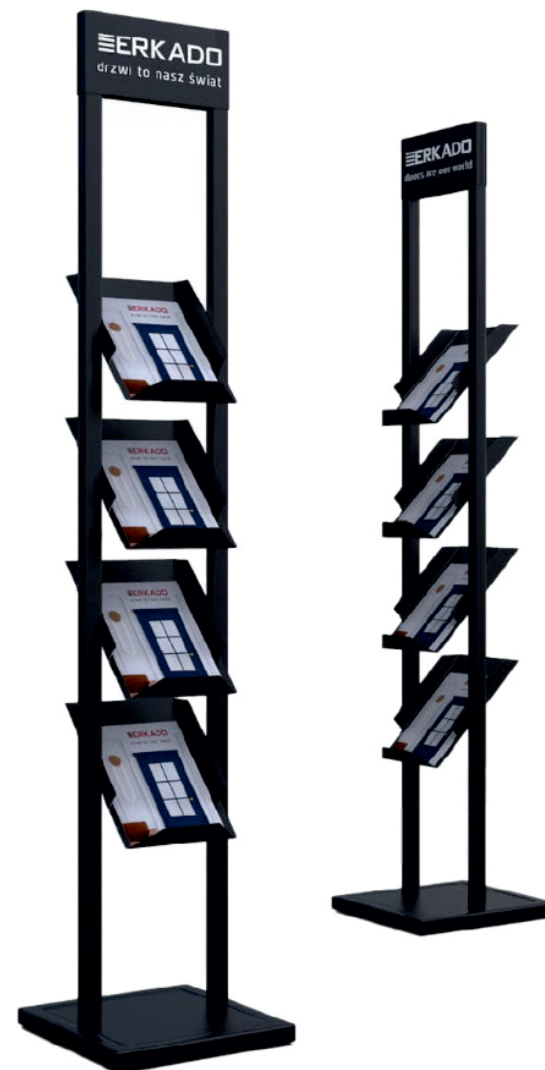
Variant "6e"



STAND FOR CATALOGUES

Exhibition Sets PREMIUM Showrooms

Stand for single-sided presentation of promotional materials (catalogues, leaflets) in A4 and A3 format. The entire structure is made of steel, powder-coated in matte black.



*PRICE:
750 PLN/netto
175 EUR/netto

DISPLAY CABINET FOR STEEL DOORS

Exhibition Sets PREMIUM Showrooms

31

Elegantly made cabinet for promotional materials for steel doors. Available as a set with promotional materials as well as separately, with the possibility of assembling promotional materials independently.

Contents of the promotional materials set:

- colour sampler for steel doors – fan
- cross-section of corners with frames – set of 4 pcs.
- cross-section of a steel frame
- cross-section of an aluminium frame
- cross-section of an aluminium frame with cross-section of a sidelight for doors sampler of steel door cross-sections in the form of a folder
- cross-section of an aluminium threshold for steel doors
- glass sampler for steel doors
- cross-section of a glazing unit for steel doors
- STEEL DOORS catalogue, paper version, approx. 55 pcs.

SPECIFICATION:
dimensions: 100 x 50 x 78.5 cm



*PRICE:
4 500 PLN/netto
1 046 EUR/netto

LIGHTING AND EXPOSITION SIGNAGE

Exhibition Sets PREMIUM Showrooms



SPECIFICATION:

- length: 100 cm,
- power: 1 x LED GU10, max 35 W,
- number of light sources: 3 pcs,
- power supply: 220-240 VAC

Sign with the ERKADO logo made of laminated PVC board available in two colours: black or white
- Dimensions: 48 cm x 13 cm

Plastic pocket intended for presenting information about the model and price of the door on the exposition in the format 10 x 30 cm.



The logo for ERKADO features a stylized icon of three horizontal bars on the left, followed by the word "ERKADO" in a bold, red, sans-serif font.

drzwi to nasz świat

A vertical bar on the left side of the page, consisting of four stacked rectangular segments: three black and one red at the bottom.

ERKADO Sp. z o.o. - Gościeradów-Folwark Osiedle POM 8, 23-275 Gościeradów

tel. +48 15 838 10 57 - fax. +48 15 838 18 84

NIP 715-194-27-90

biuro@erkado.pl

www.erkado.pl

 **ERKADO**

drzwi to nasz świat