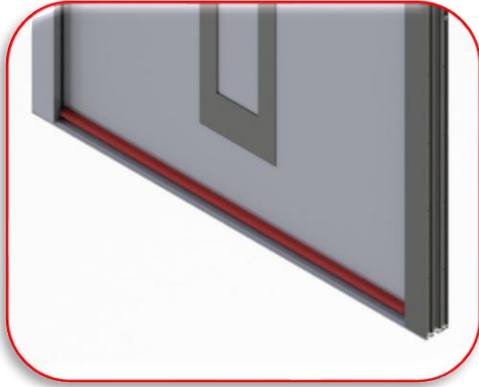


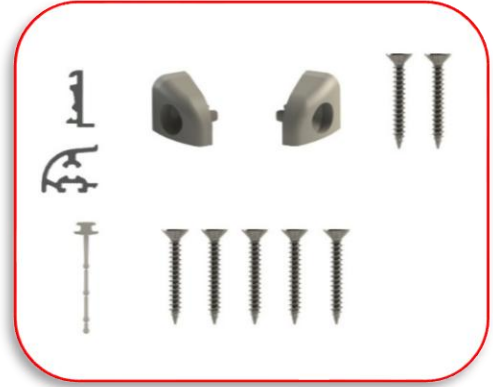
INSTALLATION INSTRUCTIONS FOR WEATHER BAR

All work must be carried out in accordance with health and safety regulations and construction best practices by qualified personnel.

The following instructions outline the installation process of the weather bar on an ERKADO door leaf.



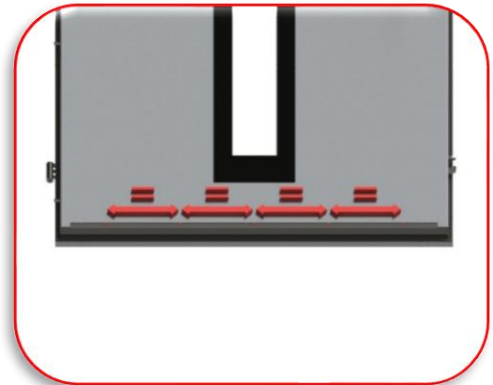
1. The weather bar can only be installed on the door leaf of inward-opening doors.



2. The set includes: mounting profile and weather bar profile tailored to the door width, weather bar seal (delivered in an oversized length and requires trimming to fit), end caps, mounting screws, screws for securing the mounting profile.



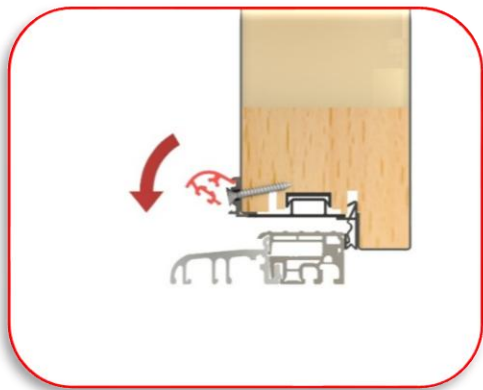
3. **Attention!** Begin the installation of the weather bar only after the door has been installed and adjusted. A clearance of 15 mm on each side between the profile and the edge of the door frame is required.



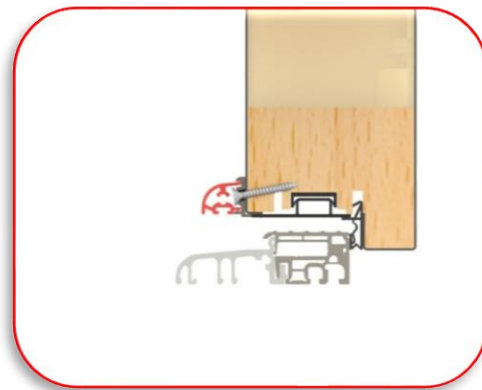
4. Secure the mounting profile using the included screws, ensuring even spacing between fastening points..



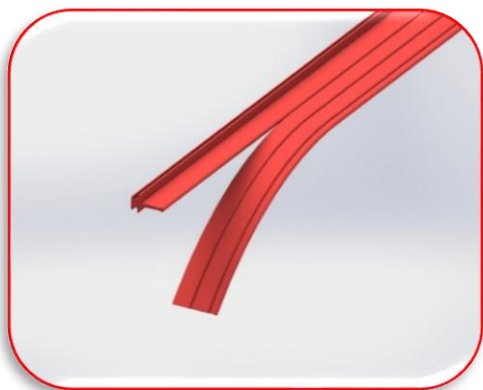
5. Attach the mounting profile by driving the screws at an angle of approximately 20 degrees to enhance durability. It is recommended to pre-drill guide holes in the mounting profile using a 3 mm metal drill bit to facilitate screw installation.



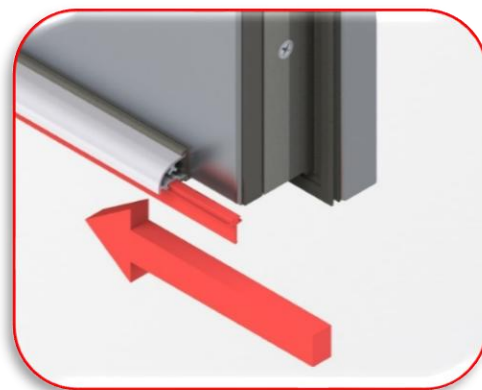
6. Attach the weather bar profile according to the diagram. Ensure it is properly aligned with the mounting profile.



7. Snap the weather bar profile onto the mounting profile.



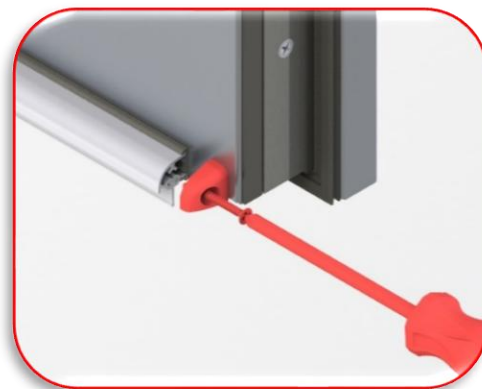
8. Remove any excess seal – an overly long seal may hinder proper door function.



9. Open the door and insert the weather bar seal.



10. Verify that the weather bar seal is correctly installed.



11. Install the end caps on both sides of the weather bar.

12. Test the door's operation by opening and closing it multiple times.