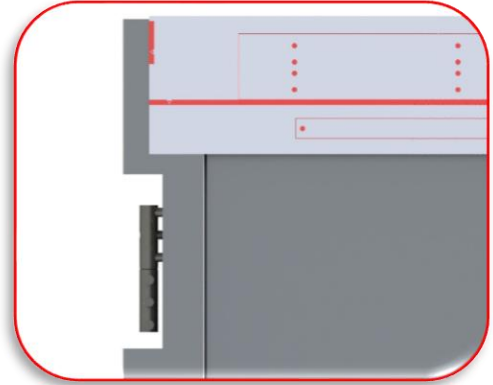
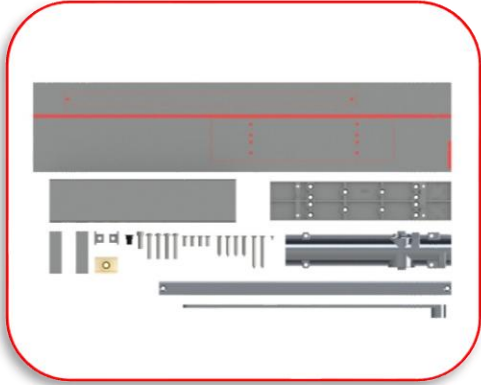


INSTALLATION INSTRUCTIONS FOR RAIL DOOR CLOSER RIGHT-HANDED STEEL DOORS METHOD B

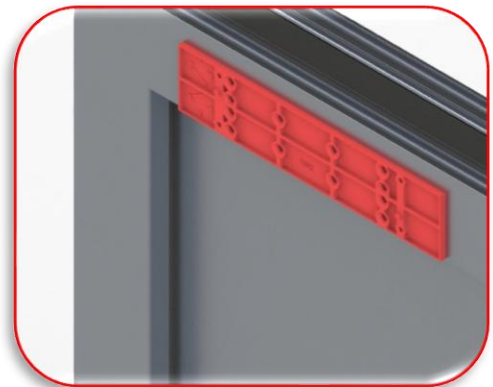
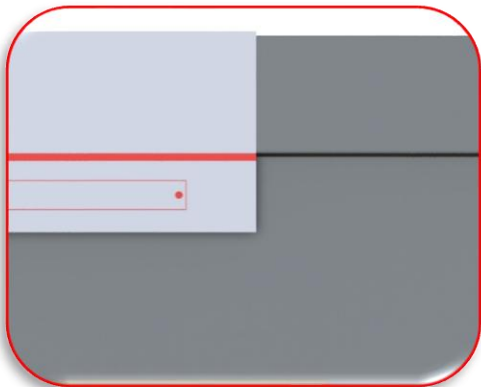
All work must be carried out in accordance with health and safety regulations and construction best practices by qualified personnel.



WARNING! The rail door closer can be installed on all ERKADO steel doors with factory-reinforced areas for the closer.

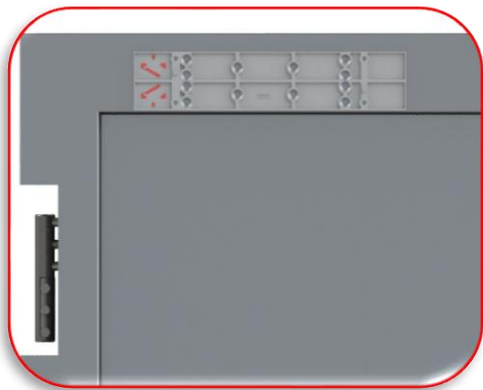
1. Attach the template included in the set, ensuring alignment between the hinge axis and the edge of the template.

WARNING! Since the hinges are not visible, place the template 25 mm from the edge of the frame.

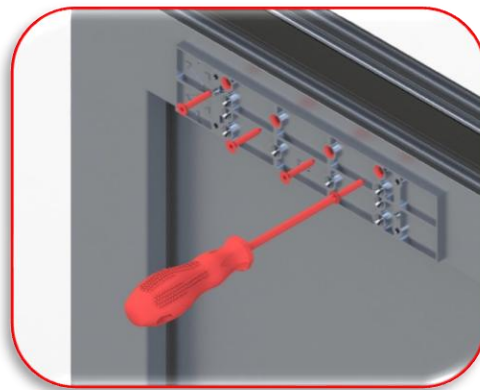


2. Align the top edge of the template along the bottom edge of the frame lintel. WARNING! The red line on the template is located below the bottom edge of the lintel. Transfer the position of the mounting holes from the template to the door leaf and frame.

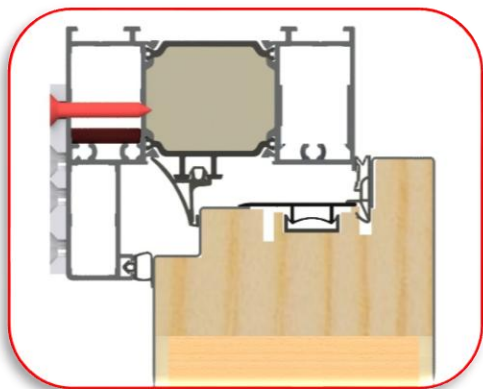
3. Attach the mounting plate according to the template.



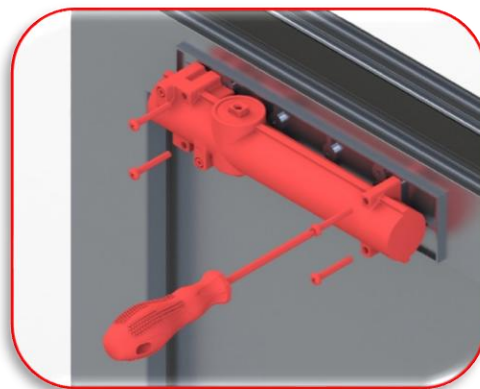
4. Position the mounting plate according to the markings.
WARNING! The hinges are covered by the frame.



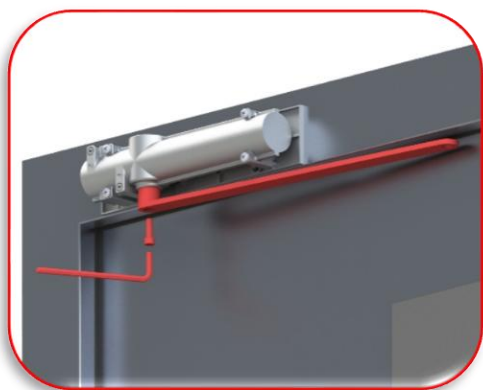
5. Secure the mounting plate through the indicated holes.
WARNING! Risk of damaging the frame (piercing the profile) if screws are installed in holes other than the required ones.



6. Check the section of the correctly installed mounting.



7. Secure the closer mechanism according to the visual guide.



8. Attach the closer arm.



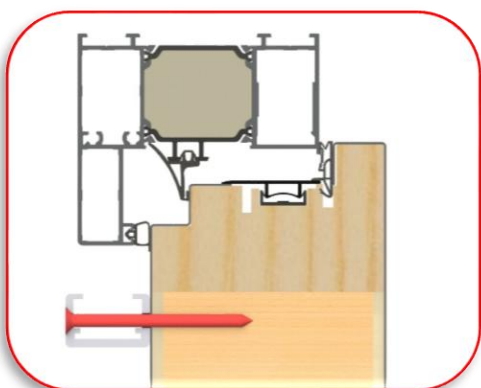
9. Position the rail according to the template.



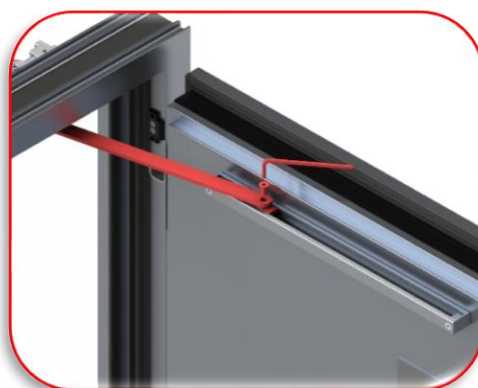
10. Install the slider and side end caps.



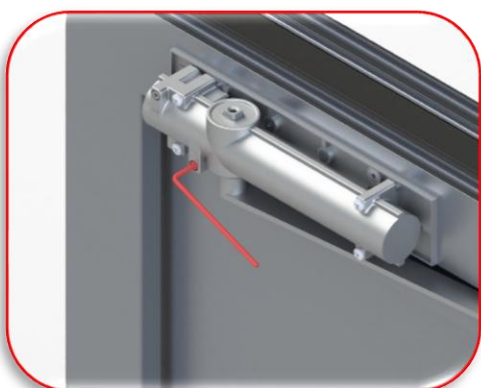
11. Secure the closer rail.



12. Check the section of the properly installed rail. **WARNING!** The mounting screws must hit the reinforcement under the closer mechanism.



13. Secure the closer arm to the slider in the rail.



14. Adjust the closing speed using the screw labeled "1" with an Allen key.



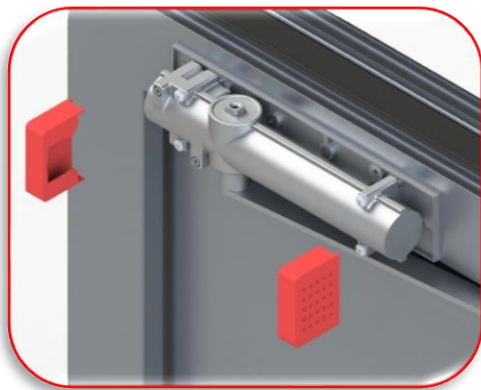
15. The screw labeled "1" allows you to adjust the closing speed in the range of 110° to 15° for mounting method B.



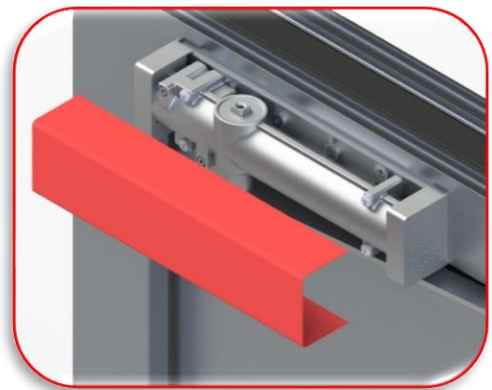
16. Adjust the closing speed using the screw labeled "2" with an Allen key.



17. The screw labeled "2" allows you to adjust the closing speed in the range of 15° to 0° for mounting method B.



18. After adjusting the closer, install the side covers.



19. Install the main cover.