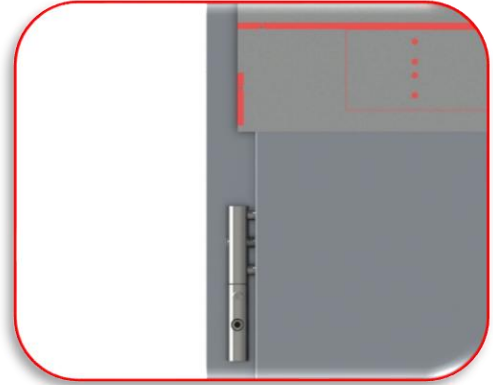
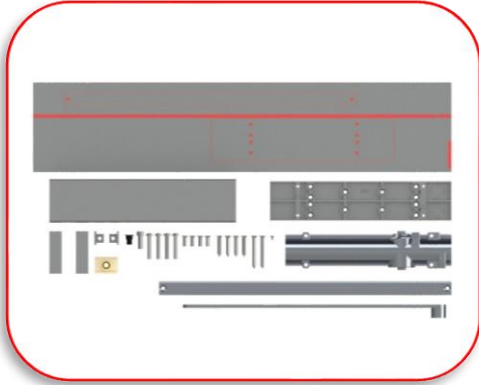


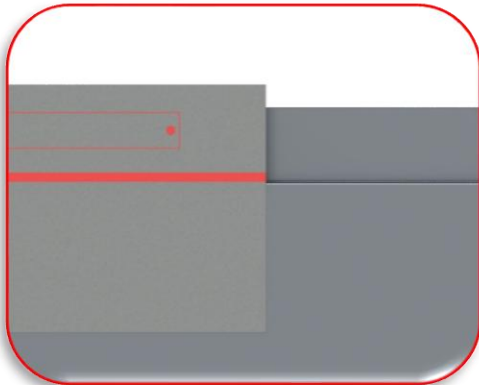
## INSTALLATION INSTRUCTIONS FOR RAIL DOOR CLOSER LEFT-HANDED STEEL DOORS METHOD A

All work must be carried out in accordance with health and safety regulations and construction best practices by qualified personnel.



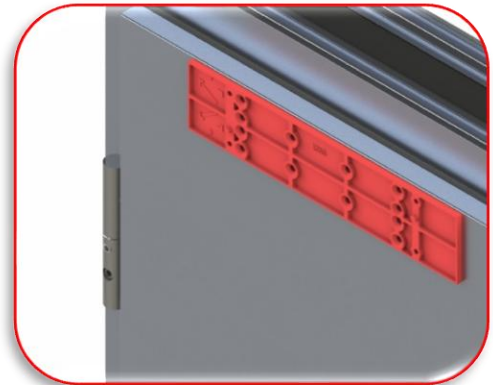
WARNING! The rail door closer can be installed on all ERKADO steel doors that have factory-installed reinforcement for the door closer.

1. Position the template included in the set, ensuring alignment between the hinge axis and the edge of the template.



2. Align the top edge of the template with the top edge of the door leaf, as shown in the visualization.

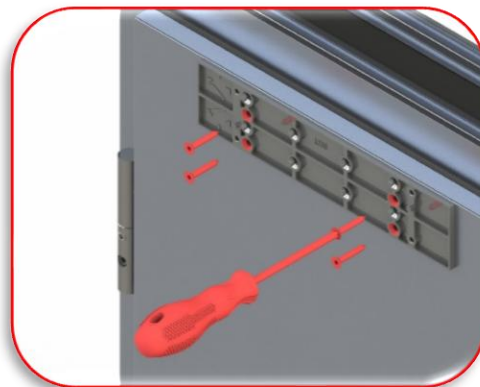
WARNING! The red line on the template should be positioned above the top edge of the door leaf. Transfer the mounting hole positions from the template to the door leaf and frame.



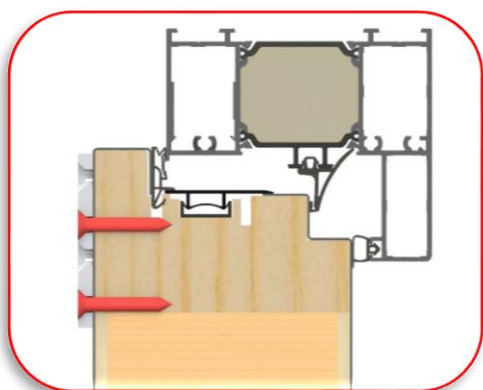
3. Position the mounting plate according to the template.



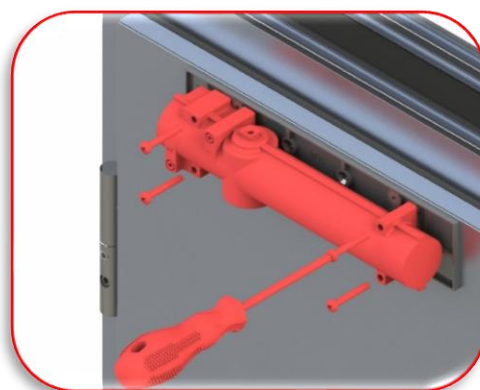
4. Adjust the mounting plate as indicated.



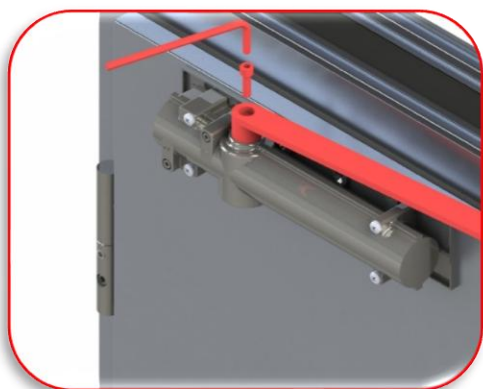
5. Secure the mounting plate using the designated holes.  
**WARNING!** Risk of door leaf damage (penetration of the rebate) if screws are installed in holes other than those required.



6. Verify the correct installation cross-section (mounting screws must align with the reinforcement for the door closer).



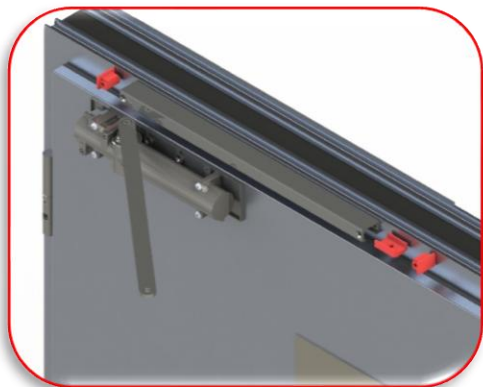
7. Attach the door closer mechanism as shown in the visualization.



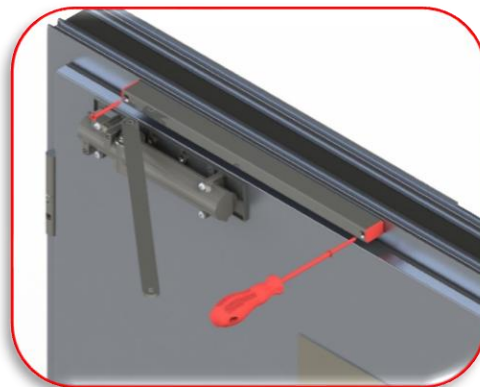
8. Secure the door closer arm.



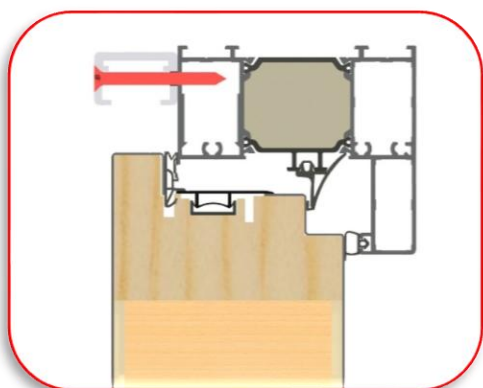
9. Position the rail according to the template.



10. Install the slider and side covers.



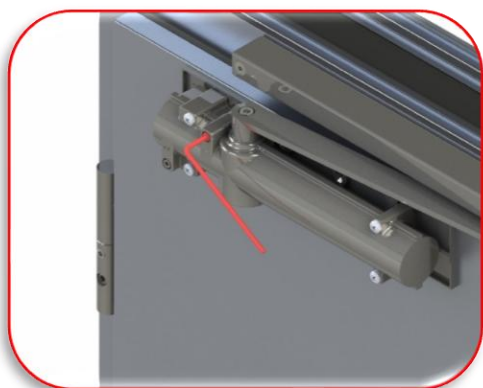
11. Attach the door closer rail.



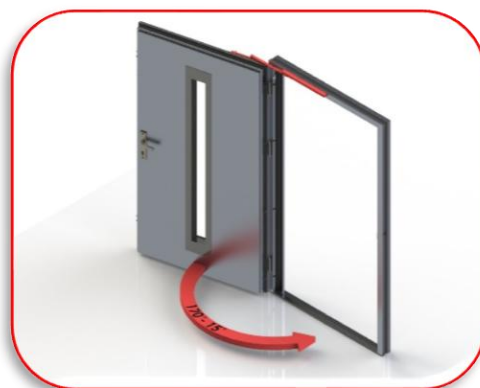
12. Verify the correct cross-section of the properly installed rail.



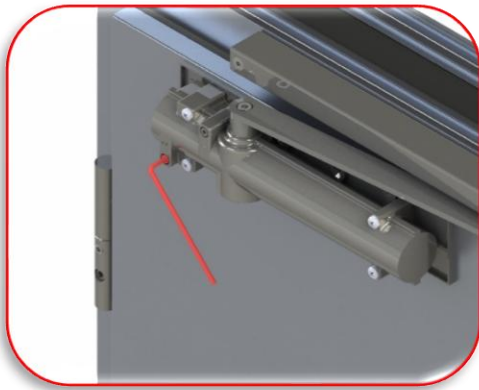
13. Secure the door closer arm to the slider in the rail.



14. Adjust the closing speed using screw "1" with an Allen key.



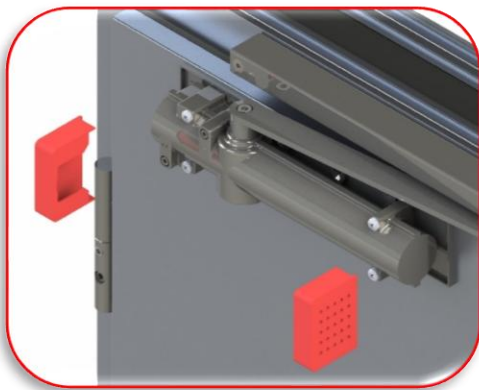
15. Screw "1" allows adjustment of the closing speed within a range of 170° to 15° for installation method A.



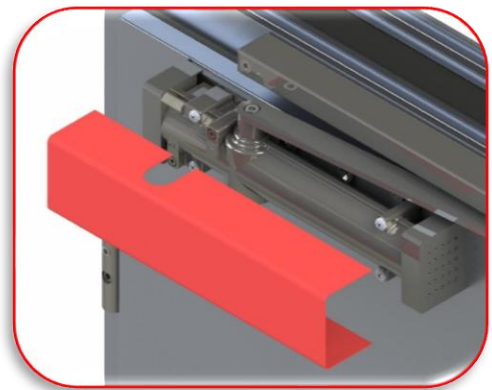
16. Adjust the closing speed using screw "2" with an Allen key.



17. Screw "2" allows adjustment of the closing speed within a range of 15° to 0° for installation method A.



18. After completing the door closer adjustment, install the side covers.



19. Attach the main cover.