



ADJUSTABLE FRAME FOR REBATED AND NON-REBATED OVERHEAD DOORS - INSTALLATION INSTRUCTIONS

Please read the warranty terms and conditions and the installation instructions before starting the installation.

**ATTENTION: PRODUCT CONTAINS WOOD-BASED MATERIALS
PROTECT AGAINST MOISTURE AND WETNESS!**

REQUIRED MOUNTING ACCESSORIES:

screwdriver or screwdriver, 4 mm hexagonal spanner, drill, spirit level 2 m long, spacers, Ø7.5 mm screws 92 mm long, hammer, spacer blocks, wedges, low-compression assembly foam, neutral silicone (NOT sanitary), wood cutting tools

QUALITY AND ACCURACY OF WORKMANSHIP

1. The quality of workmanship is to be in accordance with the technical description of the product and the factory production control. Furthermore, the workmanship standard is to reflect the type of materials used and the production technology.
2. permissible gaps at connecting elements are 0.5 mm and concern at least: junctions of frame stands with lintel (upper beam), junction between transom and leaf vertical frame. A gap not exceeding 0.5 mm does not constitute a product defect.

PURPOSE

1. The product is designed for the installation of an opening in the wall of a room with a relative humidity not exceeding 50-60% and a temperature suitable for rooms intended for permanent human habitation, i.e. +20 degrees Celsius or higher.
2. installation is not permitted in rooms with permanently high humidity, e.g. laundry rooms, saunas, swimming pools, cellars, garages.
3. adjustable frame comprising gasket, assembly kit and factory-fitted catch enables the door leaf to be fitted. The tunnel-type frame is used exclusively for fitting the opening.

HEALTH AND SAFETY IN USE AND MAINTENANCE

1. remove dirt with a damp cloth.
2. The guarantor is not responsible for any side effects of the cleaning agents. Before using them, it is advisable to carry out a test on a small area, in an inconspicuous place, by applying the agent to a cloth.
3. promptly rectify functional faults arising during use, in particular:
 - loosening of screws fixing accessories (hinges, catches, locks, etc.),
 - rubbing of the sash against the frame or the floor,
 - wing stresses.
4. Any adjustments required due to deterioration of the functional features occurring during use must be carried out immediately by qualified fitters (out-of-warranty service with respect to the door manufacturer and the fitting company).
5. Protect against moisture and wetness.
6. It is strictly prohibited to:
 - transport, handling and storage other than in a horizontal position,
 - installation and storage in unventilated, damp or very sunny rooms,
 - cleaning and maintenance using chemical preparations containing corrosive substances, abrasive materials and substances that cause discolouration and damage,
 - dosing cleaning agents directly onto the surface
 - slamming, hanging heavy, wet, sticky objects, etc.

7. During installation, use and maintenance, the applicable occupational safety regulations must be strictly observed, in particular:

- read and follow the instructions on the label of the installation preparations,
 - use efficient tools in accordance with their intended use during assembly,
 - use a handle, knob, hilt or other suitable hardware to open and close the door.
8. the product shall not contain the hazardous substances specified Regulation (EC) No 1907/2006 of the European Parliament and of the Council of 18 December 2006.

BEFORE ASSEMBLY

1. the use of qualified installation teams is recommended.
2. Carry out the work in accordance with the rules of the art of construction and health and safety regulations.
3. commence installation after completion of other renovation and construction work (painting, wallpapering, tiling and panel laying) in rooms with a humidity level not exceeding 50-60%.
4. Prepare the tools: screwdriver or screwdriver, 4 mm allen spanner (ampoule spanner), drill, 2 m spirit level, spacers, screws, spacer blocks, wedges, low-compression installation foam.

MONTAGE

1. open the packaging without destroying the polystyrene foam, the cardboard and the Manufacturer's labels, check the conformity with the order and the completeness of the set.
2. unpack all components from the packaging and place on a clean surface that will not scratch the veneer. To Do not destroy the packaging or the manufacturer's labels until installation is complete.
3. Slide the adjustable angles out of the base and beam and put them in a safe place.
4. Lay the striker and hinge risers horizontally parallel to each other at a distance corresponding to the width of the top beam.
5. position the top beam so that the corners fit perfectly.
6. Join the corners using metal connectors (fig. 1,2).
7. using the screwdriver, screw the structure together using the fasteners and screws supplied (fig. 3) (Option: join and fix the frame extension elements).
8. Check the aesthetics of the angle joints on the veneer side.
9. from the inside of the hinge riser:
 - insert the box behind the hinge and fix with screws (for rebated doors, Fig. 4),
 - Insert hinges and fasten locking plates (for flush doors Fig. 5).



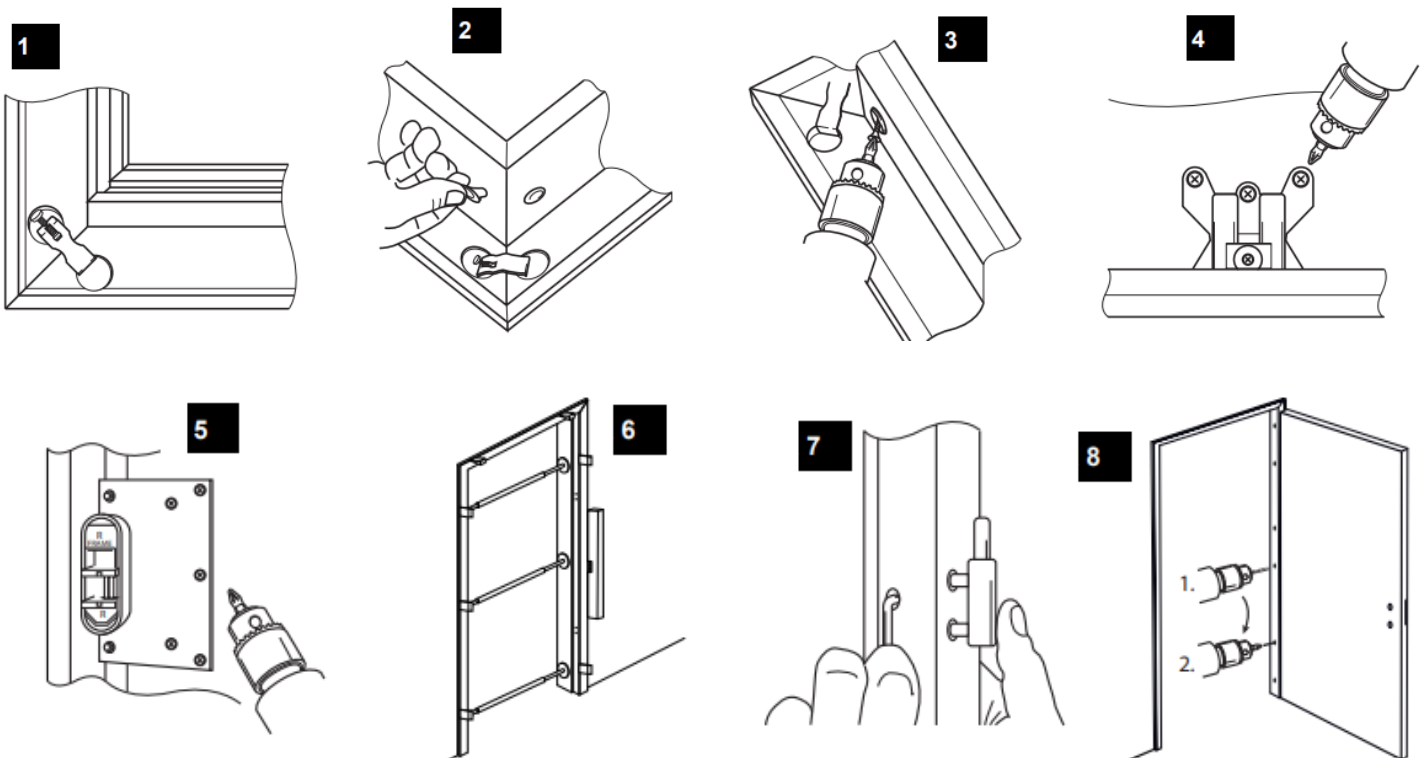
10. protect the bottom unglued surface of the frame (base in contact with the substrate) with neutral silicone (not sanitary!).
11. Fix the frame in the wall opening by installing spacer blocks and adjustable spacers at the height of the bottom and top hinges and the lock and sill, maintaining the linearity of the structure. In frames NB: do not fill gaps with foam before checking the operation of the sash in accordance with point 16.
12. Fit a minimum of three spacers (fig. 6).
13. Insert and screw the hinge fixing screw into the box (fig. 7) and fix the caps.
14. On the hinge side, drill holes (Fig. 8) for mounting dowels and then stabilise the frame in the masonry using metal screws no smaller than $\varnothing 7.5$ mm, 92 mm long, 6 per side (1 riser). For aesthetic reasons, the holes and fixing should be made under the gasket. The hole spacing is shown in (Fig. 9). This does not apply to reversible frames.
15. Ensure vertical and horizontal linearity and clear frame dimensions, which must be identical at all heights.
16. Fit the door leaf by checking:
 - a) adherence to the frame, any deformation (bowing, twisting) of the frame to be corrected using tools and metal screws,
 - b) the size of the gap between the bottom edge of the sash and the floor, shortening the frame risers if necessary,
 - c) smooth closing and opening action, avoiding any rubbing of the sash against the frame or the floor,
 - (d) operation of the lock by turning the key 3 times.

17. Inject the installation foam between the wall and the frame at the height of the struts (fig. 10). Leave for the period recommended by the foam manufacturer, but not less than 24 hours (Fig. 12).
18. Connect the adjustable angles with metal connectors (fig. 1).
19. Insert the angle brackets. It is permissible to glue them in with silicone.
20. seal the space between the floor and the frame (fig. 11) with silicone to protect against damp or wet (except for carpeting). Note: Only preparations suitable for door joinery, with a neutral curing system (oxime base) and low solvent content may be used. The use of sanitary sealants (also neutral sanitary sealants) and other preparations containing at least acetic acid is strictly prohibited. Sealant filling around the frame is permitted, but not obligatory and is an additional service.
21. On non-leaf doors, the top-bottom, left-right (width adjustment) and front-rear (seal pressure adjustment) directions can be adjusted by means of screws fixed in the hinges (fig. 13). The change of direction is only visible after adjustment on all hinges.

Notes: In a jambless frame, an adjustment range of 80-95 mm is created by shortening the tongue of the adjustable angle bracket to the expected dimension. You will have to do this yourself.

Symbols:

- E** - suggested screw spacing
- F** - good quality installation foam
- G** - minimum 24 hours
- !** - neutral silicone only (not sanitary)



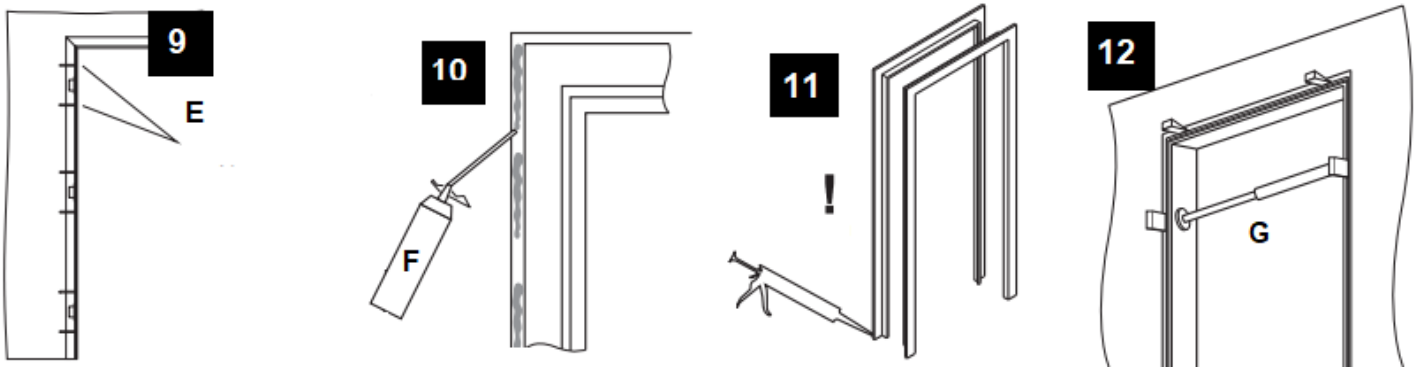
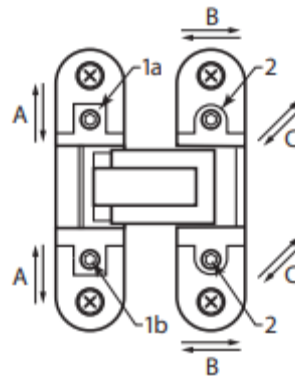


Fig. 13. Hinge adjustment - flush door: The adjustment is made with a 4 mm Allen key. It is correct when all hinges transfer the load equally. A - vertical adjustment - range ± 2 mm The upper adjustment screw (1a) should be flush with the front plane of the hinge. Adjustment is made by turning the lower adjustment screw (1b). When finished, tighten both locking screws (1), B - gasket pressure adjustment - range ± 1 mm C - horizontal adjustment - range ± 2 mm The gasket pressure and horizontal adjustments take place simultaneously. Perform the adjustment by turning the adjusting screws (2) alternately



WALL OPENING DIMENSIONS (MM)

1-LEAF DOOR	WIDTH						HEIGHT*		
	"60"	"70"	"80"	"90"	"100"	"110"	PL	2112	CZ
REVIEW	688	788	888	988	1088	1188	2060	2142	2013
SEALING	713	813	913	1013	1113	1213	2073	2155	2026
REVERSIVE	736	836	936	1036	1136	1236	2095	2135	2048

WALL OPENING DIMENSIONS (MM)

DD 2-LEAF DOOR	WIDTH						HEIGHT*		
	"100"	"110"	"120"	"130"	"140"	further	EN	2112	CZ
REVIEW	1134	1234	1334	1434	1534	+10mm	2060	2142	2013
SEALING	1161	1261	1361	1461	1561	+10mm	2073	2155	2026

*the symbol appears on the product's commercial label (above the barcode)

For other door dimensions, please refer to the instruction sheet enclosed with the door leaf